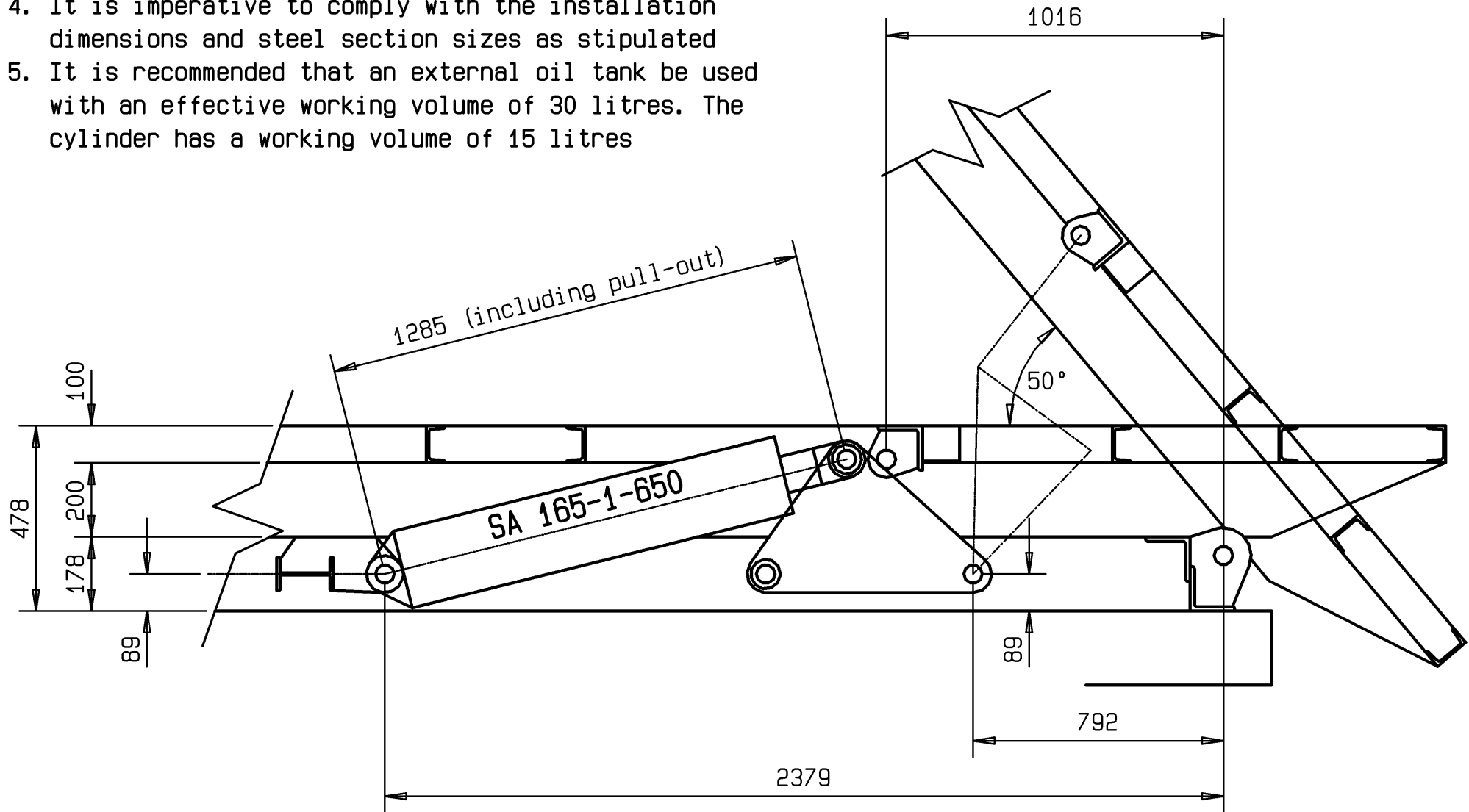



1. 6 cubic meter applications
2. Tipping body lengths of up to 4,5m
3. Can be used with a gear pump
4. It is imperative to comply with the installation dimensions and steel section sizes as stipulated
5. It is recommended that an external oil tank be used with an effective working volume of 30 litres. The cylinder has a working volume of 15 litres



UNAUTHORISED REPRODUCTION OR USE OF ANY INFORMATION HEREIN IS STRICTLY FORBIDDEN	 JOST TRANSPORT EQUIPMENT TEL: +27 (0) 861 467 463 FAX: +27 (0) 861 467 329	TITLE SCISSOR LINKAGE SA165-1-650		DRG. SCALE	
		MATERIAL REFERENCE ONLY		NTS	
		FINISH REFERENCE ONLY	DRAWN	DATE	CAD REF
		THICKNESS REFERENCE ONLY	M. ROUX	27/11/08	JTE0111