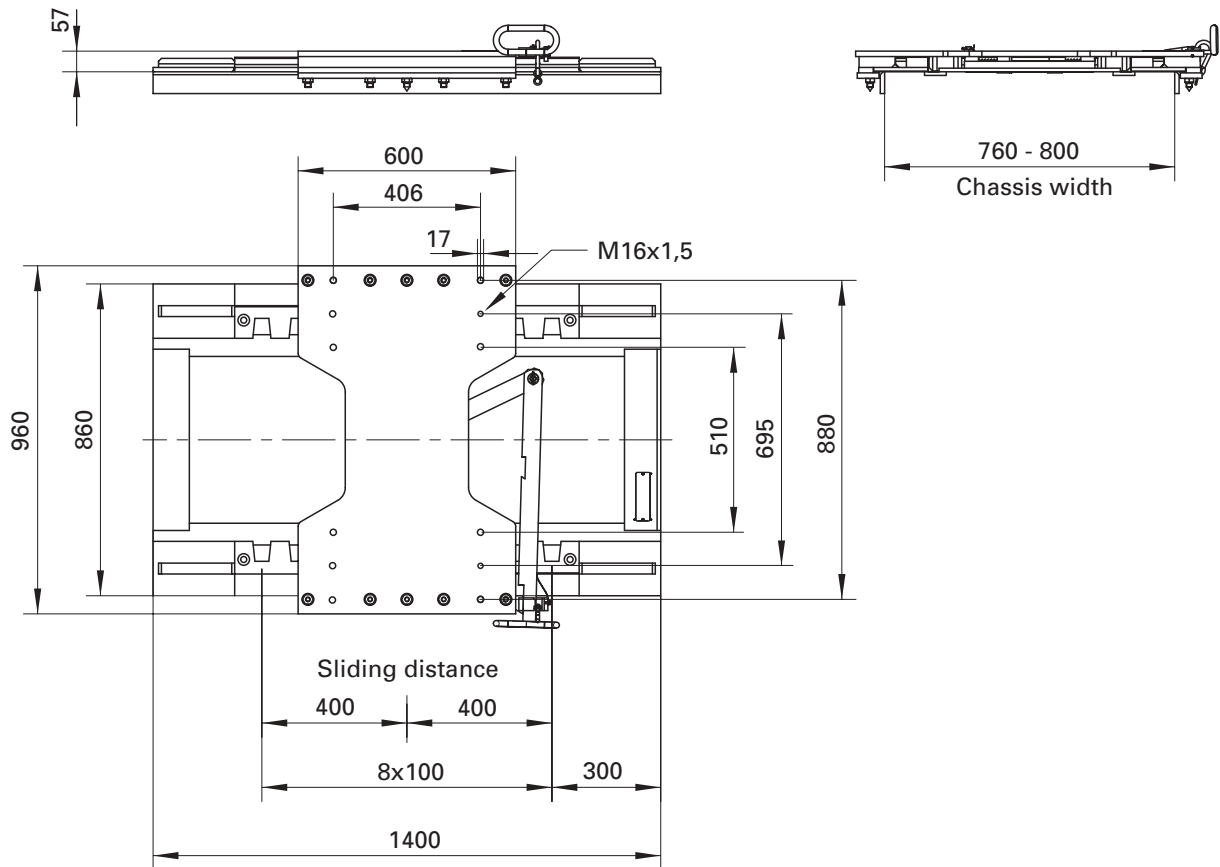


# Sliders EV HD

## Technical Specification

Slider with ISO 3842 hole pattern for fifth wheel couplings as per DIN 74084 (heavy duty fifth wheel couplings) with coupling mounting heights of up to 290 mm.



## Selection table / Versions available

Order No.	Weight (kg)	D value (kN)	Imposed load U (t)	Approval EC
EV HD-800-6	226	260	36	e1 00-1266

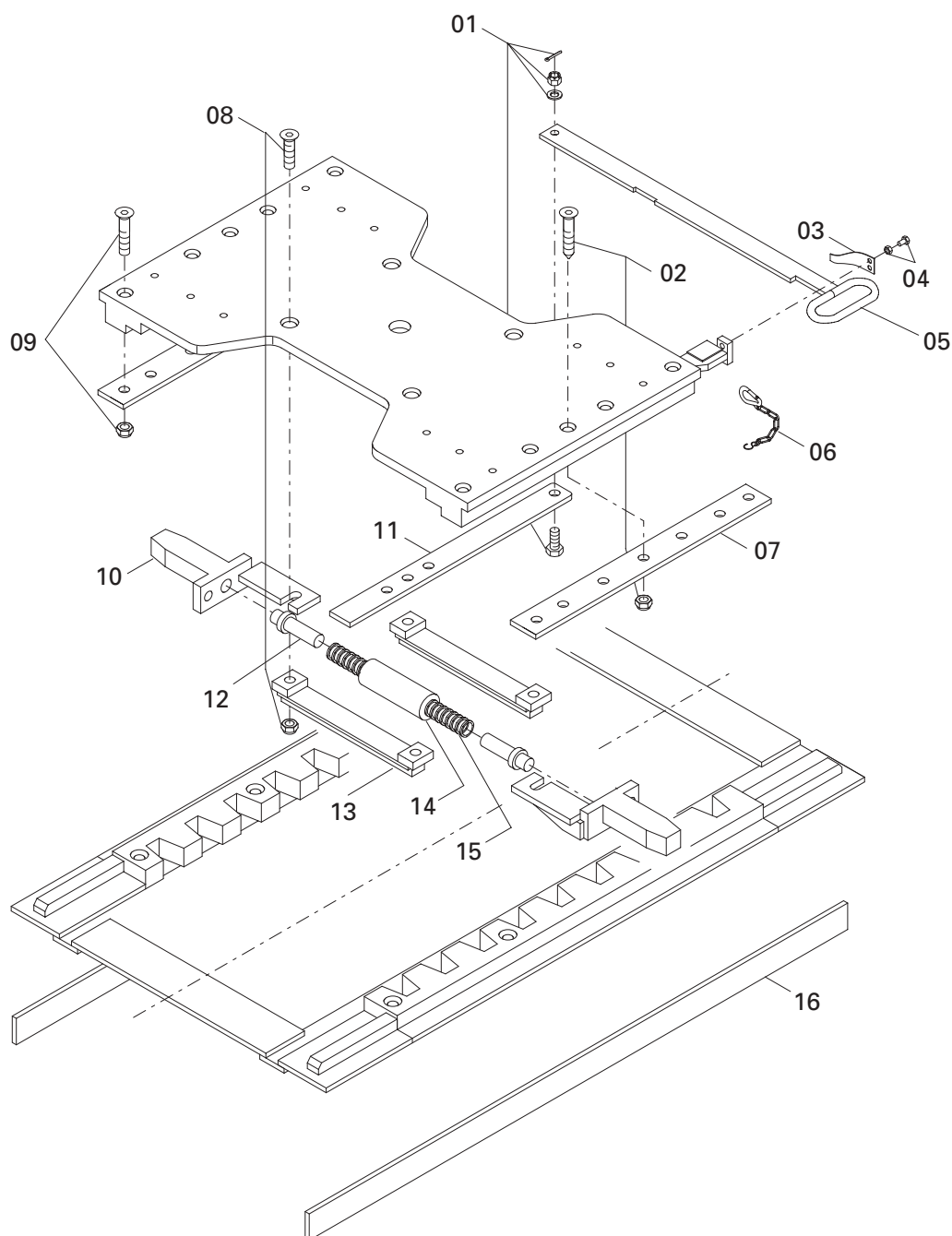
The load data applies to use on paved roads and in conditions common in Central Europe.

## Mounting kits for EV HD-800-6

Order No.	for mounting	consisting of:	Number
V 2021-15	Slider	Hexagon bolt M14 x 1,5 x 40	20
	EV HD-800-6 on mounting angles	Lock nut M14 x 1,5	20
		Stop block	4
V 2021-16	Fifth wheel coupling on EV HD-800-6	Hexagon bolt M16 x 1,5 x 70	4
		Hexagon bolt M16 x 1,5 x 40	4
		Lock nut M16 x 1,5	8
		Washer 17	12
		Hexagon bolt M16 x 1,5 x 130	4
		Stop block 15 x 15 x 100	6

## EV HD

## Spare parts



Item	Description	Serial No./ Remark	EV HD-800-2 Order No.	Quantity per	EV HD-800-6 Order No.	Quantity per
01	Hexagon bolt, complete		V 2021-09	1		
02	Indicator, complete		V 2021-01	1		
03	Leaf spring		SK 1859	1		
04	Hexagon bolt, complete		V 2021-04	2		
05	Handle, complete		V 2005-35	1	SLE200527520	1
06	Spring hook with chain		V 1021-29	1		
07	Bar		V 2005-52	2		
08	Countersunk bolt, complete		V 2021-03	4		
09	Countersunk bolt, complete		V 2021-02	9		
10	Bar, complete		V 2005-20	2	SLE200511120	1
11	Lever, complete		V 2005-30	1		
12	Bolt		V 2005-43	2		
13	Lever guide, complete		V 2005-40	2	SLE200510720	1
14	Guide tube		V 2005-44	1		
15	Pressure spring		V 2005-45	1	SLE200510000	1
16	Bar		V 2005-06	2		