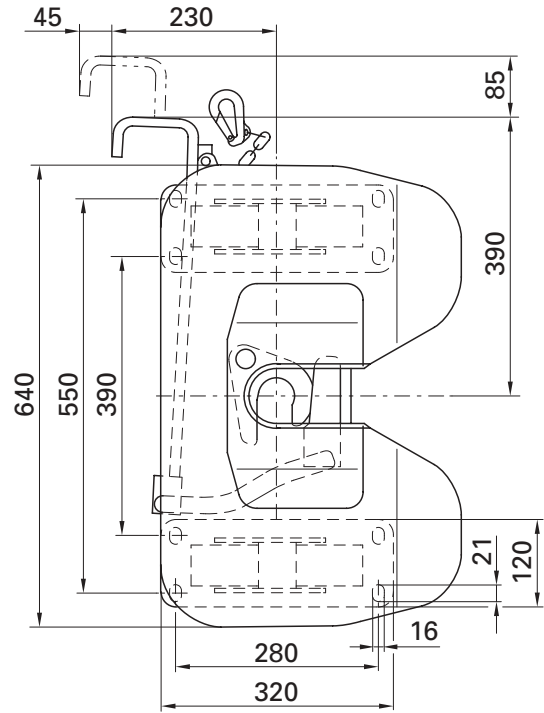
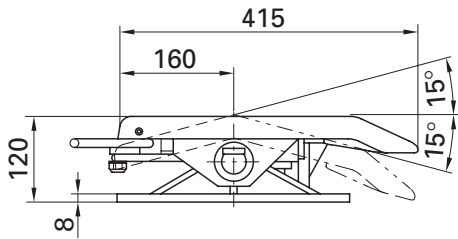


Fifth wheel couplings JSK 3-2

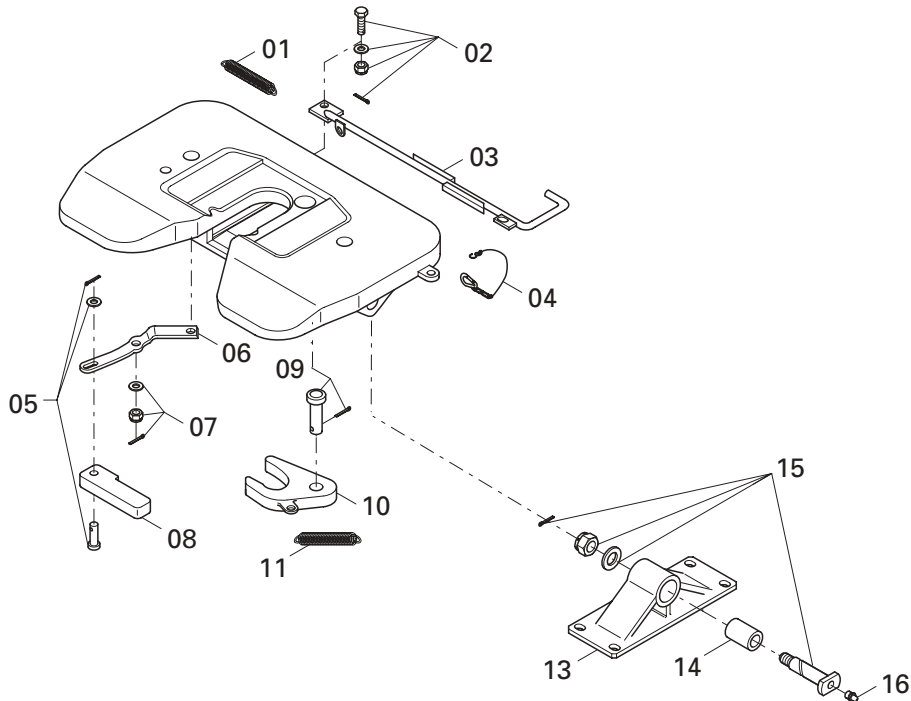
Technical Specification

Pressed steel design with pivot bearings.
Suitable for 2" king pins (50) as per DIN 74080 / ISO 337.
Not approved for forced steering semi-trailers.



Series	D value (kN)	Imposed load U (t)	Weight (kg)	Approval EC
JSK 3-2	38	5	35	e1 00-1043

Spare parts



Item	Designation	Serial No./ Remark	Order No.	Quantity per JSK	Item	Designation	Serial No./ Remark	Order No.	Quantity per JSK
01	Double tension spring		SK 3105-152	1	08	Locking bar		SK 2605-21	1
02	Hexagon bolt, compl.		SK 2621-54	1	09	Bolt, compl.		SK 2621-51	1
03	Handle		SK 2605-23	1	10	Lock jaw		SK 2605-20	1
04	Spring hook		SK 1436	1	11	Tension spring		SK 847	1
05	Bar bolt, compl.		SK 2621-53	1	13	Pedestal, compl.	with 14 + 16	SK 2604-05	2
06	Lever		SK 2605-22	1	14	Bush		SK 2604-04	2
07	Hexagon nut, compl.	to 9713090150	SK 2621-55	1	15	Spring bolt, compl.	with 16	SK 2621-02	2
	Castle nut, compl.	from 9713110101	SK 2621-56	1	16	Taper grease nipple		SK 2121-02	2