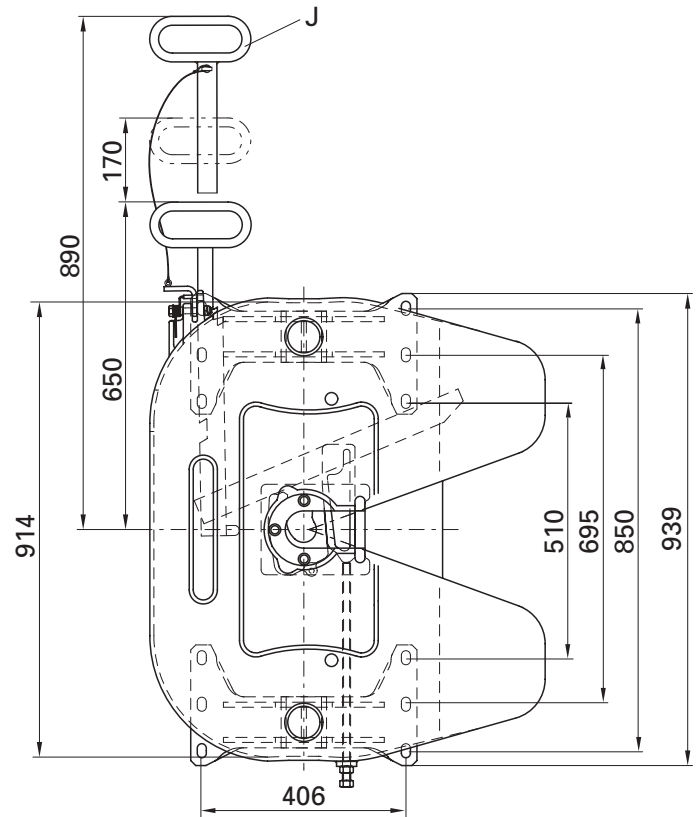
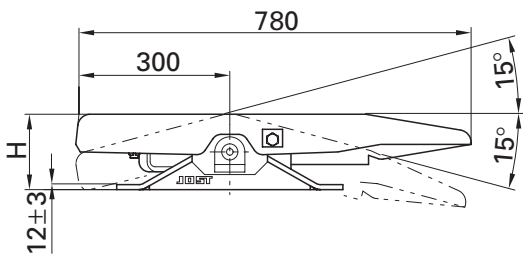


# Fifth wheel couplings JSK 36 DV

## Technical Specification

2" fifth wheel coupling in pressed steel design with pivot bearings, manual lubrication, as per DIN 74081 and ISO 3842. Suitable for 2" king pins (50) as per 94/20/EC, DIN 74080, ISO 337 and steering wedges as per 94/20/EC, DIN 74085.



## Selection table / Versions available

Order No.	H (mm)	D value (kN)	Imposed load U (t)	Weight (kg)	Approval EC	Handle length
JSK 36 DV2	150	152	20	119	e1 00-0301	K
JSK 36 DV2 J						J
JSK 36 DV1	172	152	20	122	e1 00-0301	K
JSK 36 DV1 J						J
JSK 36 DV3	185	152	20	124	e1 00-0301	K
JSK 36 DV3 J						J
JSK 36 DV17 G	205	152	20	125	e1 00-0301	K
JSK 36 DV17 GJ						J

## Explanations:

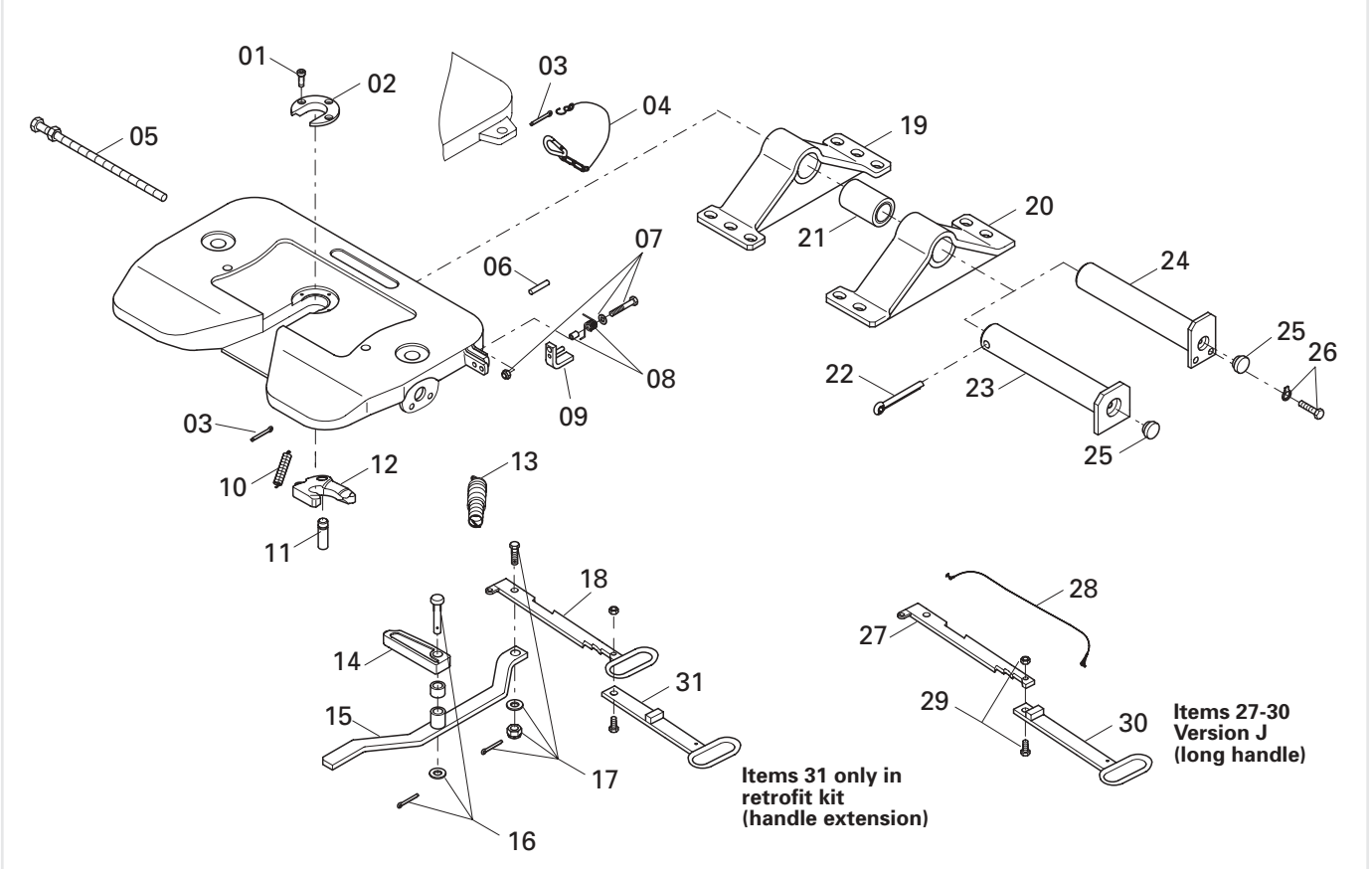
Handle length

J = Long handle

K = Short handle

# JSK 36 DV

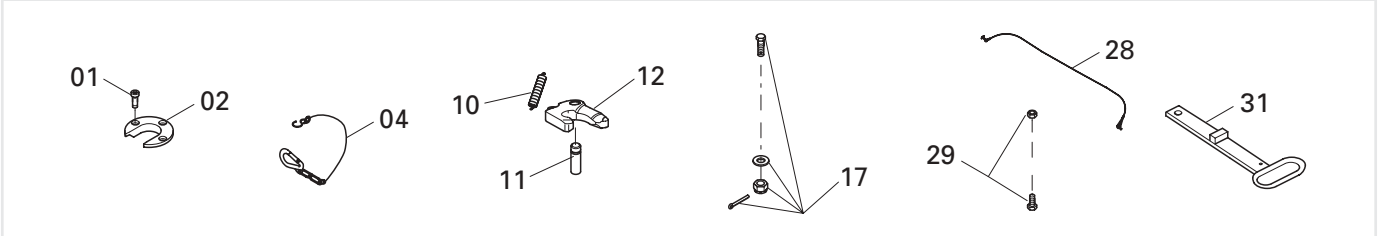
## Spare parts



Item	Designation	Serial No./ Remark	Order No.	Quantity per JSK
01	Socket head bolt		SK 2121-07	3
02	Wearing ring		SK 2105-19	1
03	Split pin	to xx83xxxxxx	SK 1974	1
04	Spring hook	to xx83xxxxxx	SK 1436	1
05	Adjusting screw	from 9880040101	SK 2905-51	1
06	Clamping pin		000.003.027	1
07	Hexagon bolt, compl.	from xx89xxxxxx	SK 3521-03	1
08	Spring noose, compl.	from xx89xxxxxx	SK 2921-30	1
09	Latch, compl.	from xx89xxxxxx	SK 3121-52	1
10	Tension spring		SK 847	1
11	Bolt		SK 2106-67	1
12	Lock jaw		SK 1489	1
13	Double tension spring		SK 3105-20	1
14	Locking bar		SK 2905-06	1
15	Lever		SK 2107-25	1
16	Bar bolt, compl.		SK 2921-02	1
17	Hexagon bolt, compl.		SK 1513	1
18	Handle	to xx83xxxxxx	SK 2905-01	1
	(standard version)	from xx89xxxxxx	SK 2905-111	1

Item	Designation Remark	Serial No./	Order No.	Quantity per JSK
19	Pedestal DV1 (H 172)		SKE501540001	2
	Pedestal DV2 (H 150)		SKE501530001	2
	Pedestal DV3 (H 185)		SKE501550001	2
	Pedestal DV16 (H 225)	Repl. f. SK 2904-05	SK 2904-90	2
	Pedestal DV17G (H 205)		SK 2904-105	2
20	Pedestal DV only sp. parts 4 hole		SK 1525	2
21	Rubber bushing, compl.		SK 2905-94	2
22	Split pin	to xx83xxxxxx	SK 2921-04	2
23	Pivot pin with 22, 25	to xx83xxxxxx	SK 2921-24	2
24	Pivot pin with 25	from xx89xxxxxx	SK 2904-99	2
25	Plug		JS 1101-12	2
26	Hexagon bolts, compl.	from xx89xxxxxx	SK 2921-038	2
27	Locking bar	for type J	SK 2905-106	1
28	Latch cord, compl.	for type J	SK 3521-02	1
29	Hexagon bolt, compl.	for type J	SK 2421-50	1
30	Handle	for type J		
		from xx89xxxxxx	SK 3105-113	1

## Repair and retrofit kits



Item	Designation	Order No.
01, 02, 10, 11, 12	Repair kit for lock	SK 3221-50
01, 02	Repair kit for lock	SK 2121-51
10, 11, 12	Repair kit for lock	SK 3221-52
01, 02, 04, 10, 11, 12, 17	Repair kit for lock	SK 3121-50

Item	Designation	Order No.
01, 02, 10, 11, 12, 17	Repair kit for lock	SK 3121-51
28, 29, 31	Handle extension, compl. from xx89xxxx	SK 2921-031