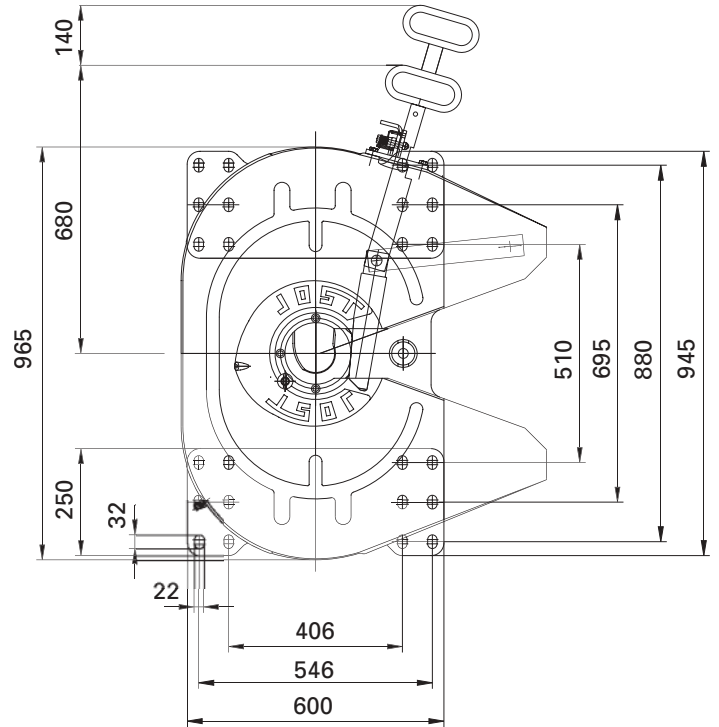
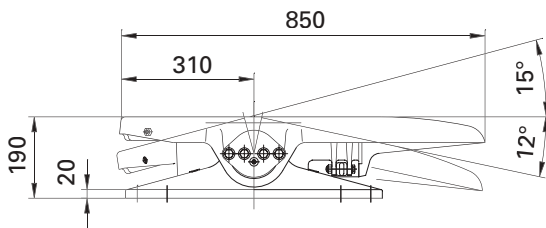


Heavy duty fifth wheel couplings JSK 50

Technical Specification

Pivot bearing.

Suitable for 3 1/2" king pins (90) as per 94/20/EC, DIN 74083, ISO 4086 and steering wedges as per 94/20/EC, DIN 74085.

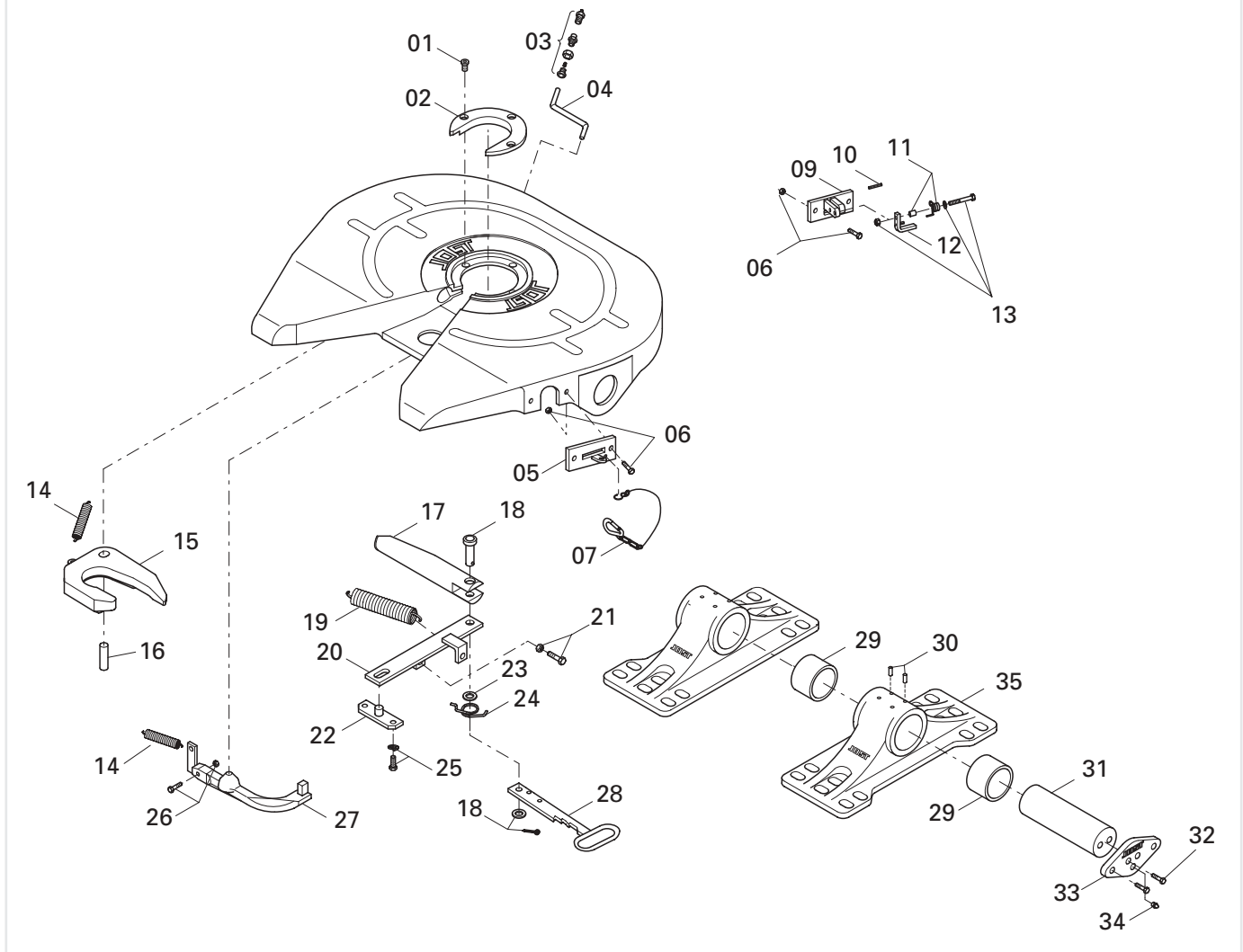


Selection table / Version available

Order No.	D value (kN)	Imposed load U (t)	Weight (kg)	Approval EC
JSK 50	300	50	290	e9 00-3023

JSK 50

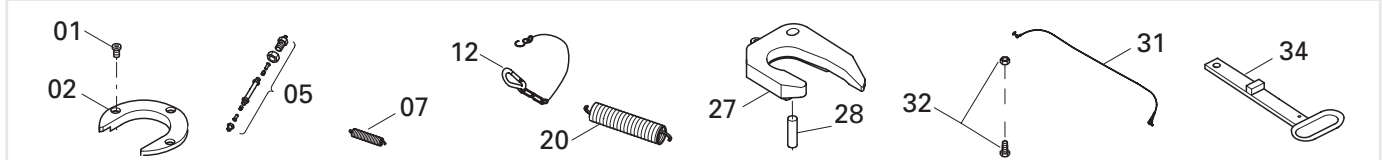
Spare parts



Item	Description	Serial No./ Remark	Order No.	Quantity per JSK
01	Socket head bolt		SK 2421-08	3
02	Wearing ring, compl. with 01	3 1/2"	SK 2421-56	1
03	Nut and bolt		SK 1976	1
04	Lubrication tube		SK 1989-003	1
05	Guide plate	to xx90xxxxxx	SK 2405-22	1
06	Hexagon bolt, compl.		SK 2421-50	2
07	Spring hook, compl.		SK 1436	1
09	Latch holder, compl. with 10	from xx91xxxxxx	SK 2405-084	1
10	Clamping pin		000.003.027	1
11	Spring noose, compl.	from xx91xxxxxx	SK 2921-30	1
12	Latch, compl.	from xx91xxxxxx	SK 3121-52	1
13	Hexagon bolt, compl.	from xx91xxxxxx	SK 3521-03	1
14	Tension spring		SK 2106-01	2
15	Lock jaw	3 1/2"	SK 2405-14	1
16	Bolt		SK 2405-18	1
17	Locking bar		SK 2405-01	1
18	Bar bolt, compl.		SK 2121-14	1

Item	Description	Serial No./ Remark	Order No.	Quantity per JSK
19	Double tension spring		SK 2405-23	1
20	Lever		SK 2405-04	1
21	Hexagon bolt, compl.		SK 2421-52	1
22	Bearing		SK 2405-15	1
23	Washer		SK 2405-19	1
24	Spring noose		SK 2405-09	1
25	Hexagon bolt, compl.		SK 2421-53	2
26	Hexagon bolt, compl.		SK 2421-51	1
27	Latch		SK 2405-27	1
28	Handle		SK 2405-066	1
29	Bearing bushing		SK 2805-03	4
30	Cylindrical notched pin		SK 1533	8
31	Pivot pin		SK 2805-01	2
32	Locking bar		SK 2521-05	8
33	Plate		SK 2805-02	2
34	Grease nipple		SK 2521-04	2
35	Pedestal, compl.	with 29 + 30	SK 2821-51	2

Repair, retrofit and conversion kits



Item	Description	Order No.
01, 02, 05, 07, 12, 20, 27, 28	Repair kit for lock 3 1/2"	SK 2421-76
31, 32, 34	Handle extension retrofit kit, compl.	SK 3121-063