

JO ST

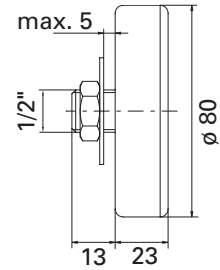
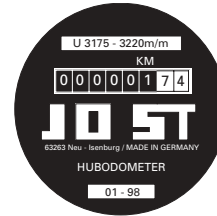


9 Hubodometers and axle caps

Hubodometers are milometers working independently of the tractor unit to determine the mileage of all types of wheeled vehicles, such as trailers, semi-trailers, low-loaders, rolling stock, etc.

Compliance with "TÜV" Safety Regulations and "StVZO" Motor Vehicle Safety Standards is required in Germany.

Design/features



Special features of the hubodometer

- Hermetically sealed meter
 - Maintenance-free
 - No build-up of condensation
 - Tamper-proof
 - All parts made of stainless steel
- Records distances
 - Even in reverse gear
 - Choice of kilometres or miles
 - Six-digit display

Characteristics of the hubodometer

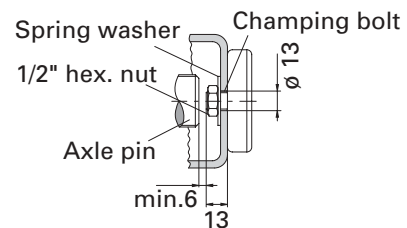
- Weighs just 0.28 kg
- Mounts
 - Directly onto the axle cap
 - Shockproof in a special axle cap
 - Extra slim mounting depth
- Application
 - Available for almost every tyre size

Versions

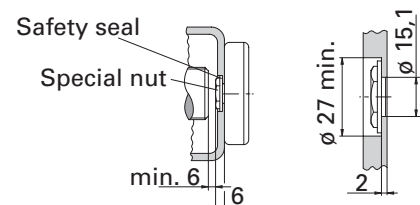
J . . . / JK . . .

Two versions of the hubodometer are available for mounting on existing axle caps. The short version with a shortened clamping bolt is designed for situations where space is limited.

Standard version (J . . .)



Short version (JK . . .)



See page 114 f. for details of the shockproof mounting of the hubodometer using special axle caps.

Order number for hubodometers

Please state the following when ordering a hubodometer:

- Rolling circumference according to table below
- Meter for kilometres or miles
- Design: normal, short or DaimlerChrysler axle cap with integral hubodometer

The order number for hubodometers is made up of the rolling circumference (see table) with the prefix J for the standard version; JK for the short version; JM and JD for Daimler-Chrysler axle caps (see page 114).

Example of an order number for tyre size 385.65 – 22.5:

- J 3240-3260 = Standard hubodometer
- JK 3240-3260 = Short design
- JM 3240-3260 = DaimlerChrysler axle cap with integrated Hubodometer
- JD 3240-3260 = DaimlerChrysler axle cap with integrated Hubodometer

Rolling circumference (mm)	Tyre size
1605	6.00-9
	155.70-12
	160.65-315
1935-1985	175.00-14
	185.00-14
2015-2055	7.00-12
	185.00-15
	195.00-14
2170	205.65-17,5
2225	6.00-16
	7.00-15
	205.00-16
	215.75-16
	205.80-15
2310	225,75-16
	7.50-15
	205.75-17,5
2350	215.75-17,5
	7.00-16
2425	245,70-17,5
	235.70-17,5
2464-2520	7.50-16
	9.00-15
	235.75-17,5
2560	8.25-15
	9.50-17,5
	245.70-19,5
2620-2650	6.50-20
	8.25-16
	10.00-17,5
	265.70-19,5
2712-2750	10.00-15
	7.00-20
	9.00-16
	285.70-19,5
	275.80-18
2790	215.75-22,5
	9.50-19,5
	305.70-19,5
	295.60-22,5
	445.45-19,5

Rolling circumference (mm)	Tyre size
2830-2860	7.50-20
	255.70-22,5
	285.60-22,5
2915	275.70-22,5
	11.70-22,5
2960	8.25-20
	425.55-19,5
3015-3134	9.00-20
	10.00-22,5
	315.70-22,5
	295.70-22,5
	275.80-22,5
	335.80-20
	3175-3220
	11.00-22,5
	14,80-22,5
	295.80-22,5
	315.75-22,5
	375.70-20
	405.70-20
	3240-3260
	15.00-22,5
	18.00-19,5
	3280-3310
	14.80-20
	365.80-20
	12.00-22,5
	315.80-22,5
	365.70-22,5
	365.80-22,5
	3410-3470
	13.00-22,5
	16.50-22,5
	18.00-22,5
	425.65-22,5
	3505
3560-3570	12.00-22
	13.00-20
3730	12.00-24
4090	14.00-24

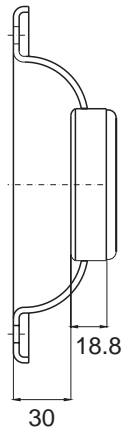
Other tyre sizes available on request.



Special axle cap with integrated hubodometer for axles manufactured by DaimlerChrysler

JM

made of galvanised steel



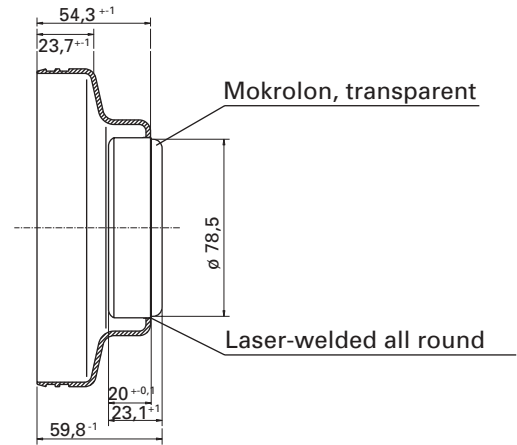
Included in supply (Order Ref. No. JM)

- Axle cap with hubodometer

The order number is the rolling circumference (see table on page 113) with the prefix JM.

JD

made of galvanised steel



Included in supply (Order Ref. No. JD)

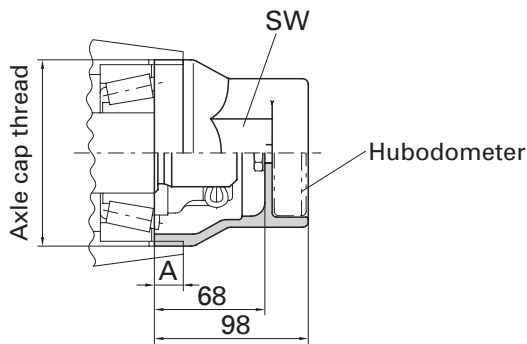
- Axle cap with hubodometer

The order number is the rolling circumference (see table on page 113) with the prefix JD.

Special axle caps for axles manufactured by BPW

JHU 202/203

made of aluminium with self-locking thread.



JHU 202

Included in supply (See table below)

- Axle cap

Order No.	Axle cap thread (mm)	A	SW
JHU 202	M 115 x 2	17,5	94
JHU 202-3	M 115 x 3	19,5	
JHU 203	M 125 x 2	17,5	109
JHU 203-3	M 125 x 3	19,5	