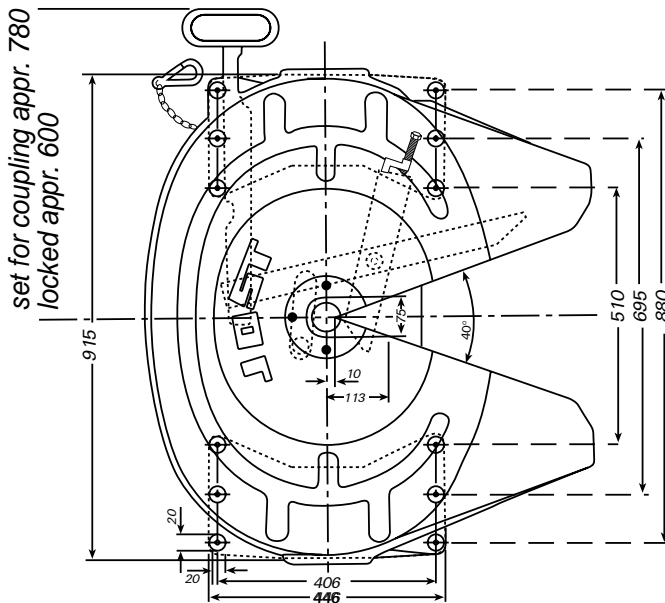
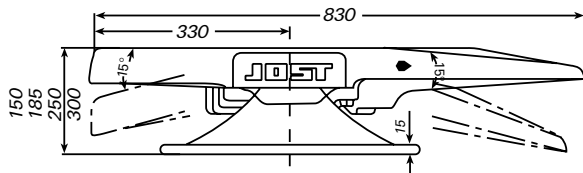
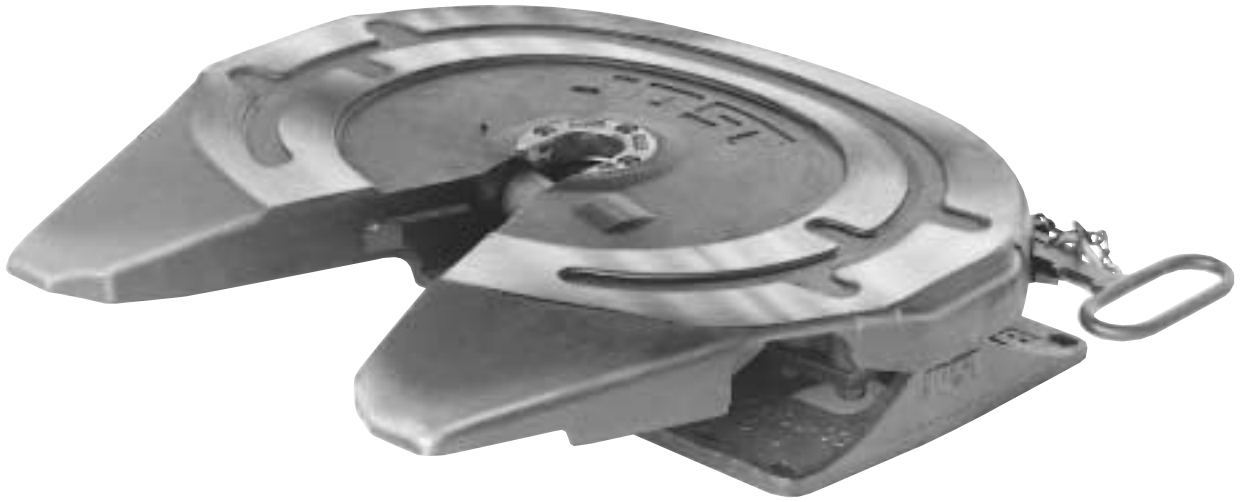


JOST

Fifth wheel coupling 2'' Rubber mounting

Type JSK 36 C with wearing ring



Wearing ring is easy to remove from above.

Shock absorption large rubber pads. (Oil and grease resistant)

Gross comb. weight 65000 kgs

D-value 152 kN

Weight approx. 157 kgs (for 150mm Height)

Type	Overall Height mm	Imposed Load On Tractor kg	D-Value kN	Weight Approx. kg	Evidence Number
JSK 36 C/150	150	20000	152	157	9007-10
* JSK 36 C/170	170	20000	152	160	
JSK 36 C/185	185	20000	152	162	
* JSK 36 C/250	250	20000	152	170	DR 62,63
* JSK 36 C/300	300	20000	152	185	S1773-1990

* Non Weldable Pedestals

The right to alter specifications is reserved.

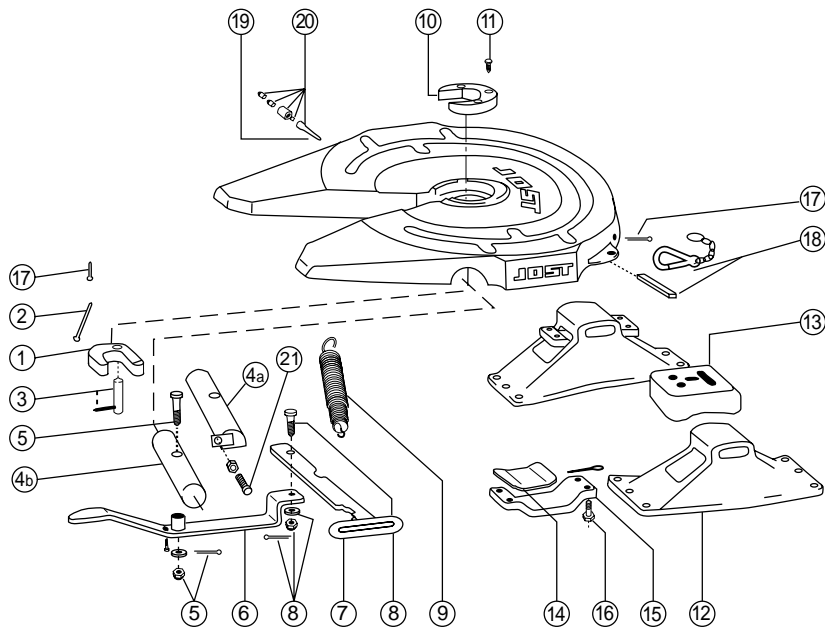


Fig.	Description	Part No.
1	Lock jaw	SK 2105-15
2	Lock jaw spring	SK 847
3	Pivot for lock jaw	SK 2121-13
4a	Locking bar manual adjust after 1992	SK 2106-31
4b	Locking bar auto adjust pre 1992	SK 2105-17
5	Locking bar bolt	SK 2121-14
6	Lever	SK 2105-01
7	Operating handle	SK 2105-07
8	Head bolt	SK 1513
9	Double tension spring	SK 2105-11
10	Wearing ring	SK 2105-19
11	Socket head bolt	SK 2121-07
12a	Pedestal (150 mm) Non Weldable/bolt on Pedestals	SK 2104-02
12b	Pedestal (170 mm) Non Weldable/bolt on Pedestals	SK 2104-21
12c	Pedestal (185 mm) Non Weldable/bolt on Pedestals	SK 2104-01
12d	Pedestal (250 mm) Non Weldable/bolt on Pedestals	SK 2104-14
12e	Pedestal (300 mm) Non Weldable/bolt on Pedestals	SK 2104-20
12f	Pedestal (150 mm) Weldable Pedestals	SK 2104-02X
12g	Pedestal (185 mm) Weldable Pedestals	SK 2104-01X
13	Upper rubber cushion	SK 1259
14	Lower rubber cushion	SK 2105-25
15	Mounting bracket	SK 1372
16	Hex Bolt	SK 60
17	Split pin	SK 1974
18a	Spring hook, chain & wedge	SK 1436V
18b	Spring hook,complete with chain	SK 1436
19	Lubrication fitting compl.	SK 2105-28
20	Grease nipple compl	SK 1976
21	Adjusting screw	SK 2121-76
Repair Kits		
1.2.3.10.11	Repair kit for locking device	SK 2121-50
1,2,3	Repair kit for locking device	SK 2121-52
1,2,3,8	Repair kit for locking device	SK 2121-68
10,11,18		
13,14,16	Repair kit for rubber bearing	SK 2121-6936CV