

# Fifth wheel couplings JSK 37 C/CW

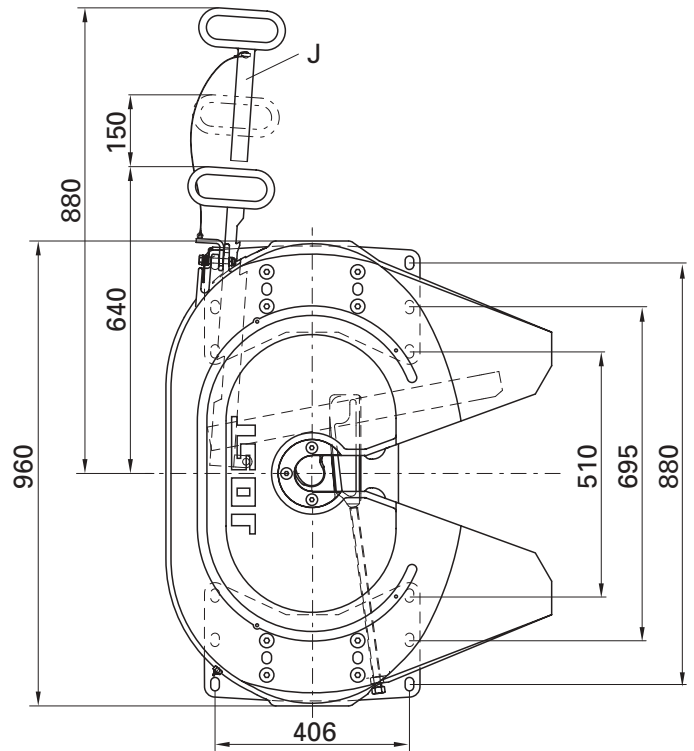
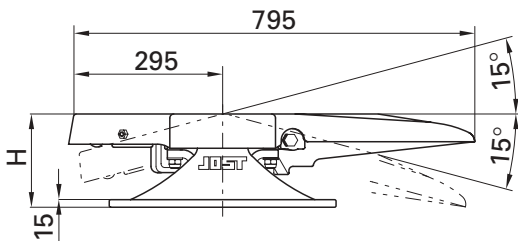
## Technical Specification

Rubber bearing.

The fifth wheel coupling complies with the following directives / standards:

94/20/EC - Class G50, DIN 74081, ISO 3842.

Suitable for mounting 2" king pins (50) as per 94/20/EC, DIN 74080, ISO 337 and steering wedges as per 94/20/EC, DIN 74085.



## Selection table / Versions available

Order No.	H (mm)	D value (kN)	Imposed load U (t)	Weight (kg)	Approval EC	Maintenance	Handle length
JSK 37 C150						M	K
JSK 37 C150 Z						Z	K
JSK 37 C150 W	150	152	20	149	e1 00-0116	W	K
JSK 37 C150 J						M	J
JSK 37 C150 ZJ						Z	J
JSK 37 C150 WJ						W	J
JSK 37 C170						M	K
JSK 37 C170 Z						Z	K
JSK 37 C170 W	170	152	20	151	e1 00-0116	W	K
JSK 37 C170 J						M	J
JSK 37 C170 ZJ						Z	J
JSK 37 C170 WJ						W	J
JSK 37 C185						M	K
JSK 37 C185 Z						Z	K
JSK 37 C185 W	185	152	20	152	e1 00-0116	W	K
JSK 37 C185 J						M	J
JSK 37 C185 ZJ						Z	J
JSK 37 C185 WJ						W	J
JSK 37 C250						M	K
JSK 37 C250 Z						Z	K
JSK 37 C250 W	250	152	20	168	e1 00-0116	W	K
JSK 37 C250 J						M	J
JSK 37 C250 ZJ						Z	J
JSK 37 C250 WJ						W	J
JSK 37 C300						M	K
JSK 37 C300 Z						Z	K
JSK 37 C300 W	300	152	20	178	e1 00-0116	W	K
JSK 37 C300 J						M	J
JSK 37 C300 ZJ						Z	J
JSK 37 C300 WJ						W	J

## Explanations:

### Maintenance

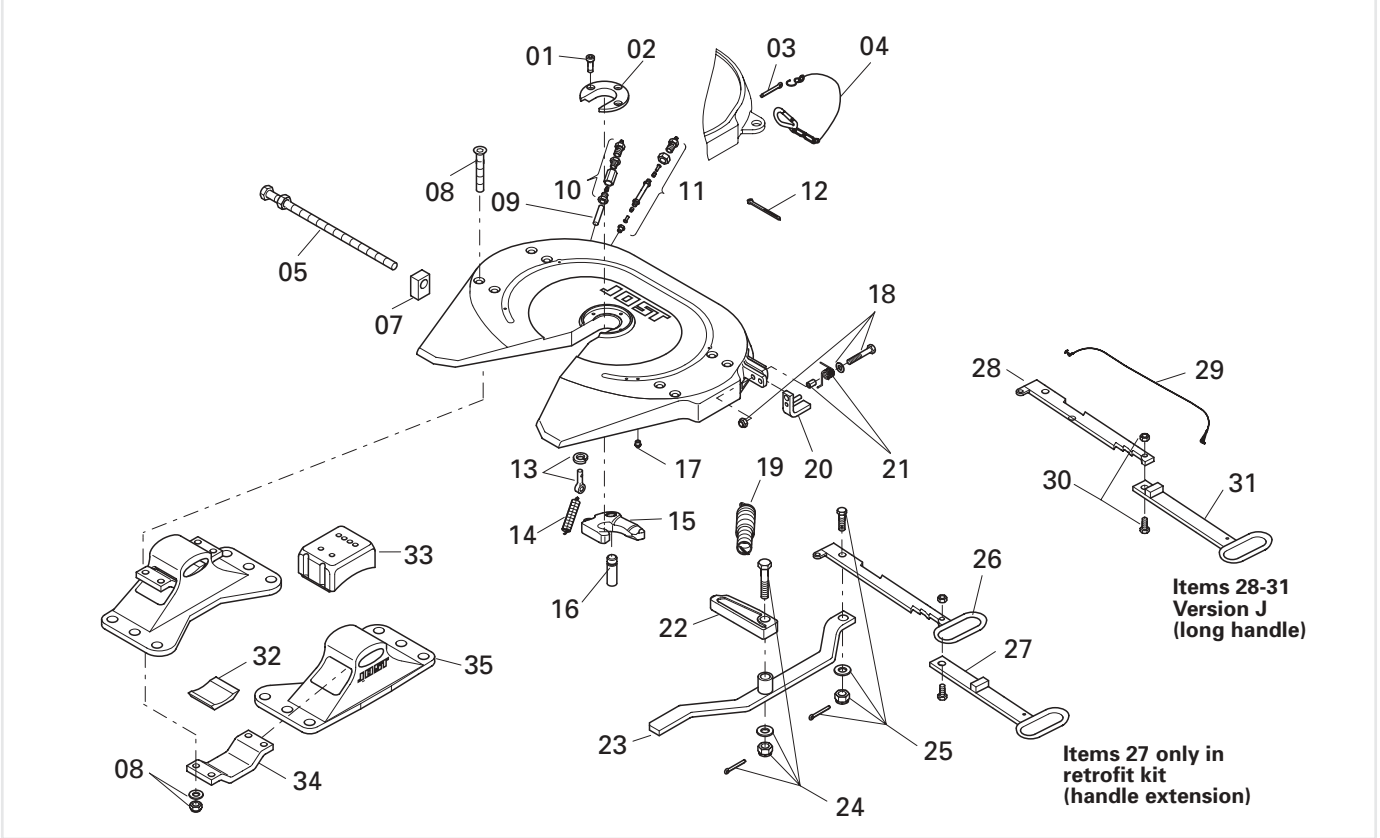
- Z = Prepared for central lubrication
- W = Low-maintenance version
- M = Manual lubrication

### Handle length

- J = Long handle
- K = Short handle

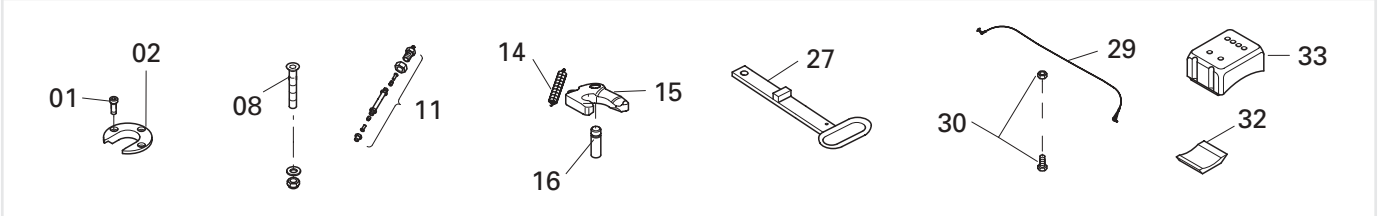
# JSK 37 C

## Spare parts



Item	Description	Serial No./ Remark	Order No.	Quantity per JSK	Item	Description	Serial No./ Remark	Order No.	Quantity per JSK
01	Socket head bolt		SK 2121-07	3	20	Latch, compl.	from 0428xxxxx	SK 3121-52	1
02	Wearing ring		SK 2105-19	1	21	Spring noose with spacer	from 0428xxxxx	SK 3121-59	1
03	Split pin	to xx24xxxxxx	SK 1974	1	22	Locking bar		SK 3205-06	1
04	Spring hook	to xx24xxxxxx	SK 1436	1	23	Lever		SK 3105-18	1
05	Adjusting screw		SK 3105-150	1	24	Bar bolt, compl.		SK 3221-01	1
07	Guide		SK 3205-07	1	25	Hexagon bolt, compl.		SK 1513	1
08	Countersunk bolt, compl.		SK 2121-15	8	26	Handle (standard version)		SK 3105-15	1
09	Lubrication tube		SK 1989	1	28	Locking bar, for type J		SK 3105-115	1
10	Nut and bolt		SK 1976	1	29	Latch cord, compl. f. type J		SK 3521-02	1
11	Lubrication tube f. type CZ	with 12	SK 3108-02	1	30	Hexagon bolt, compl., f. type J		SK 2421-50	1
12	Cable tie		SK 3121-13	1	31	Handle for type J		SK 3105-113	1
13	Eye bolt, compl.		SK 2122-04	1	32	Rubber cushion, lower		SK 2105-25	2
14	Tension spring		SK 847	1	33	Rubber cushion, upper		SK 1259	2
15	Lock jaw for type C		SK 1489	1	34	Bridge		SK 1372	2
15	Lock jaw for type CZ	with 12	SK 1489 Z	1	35	Pedestal H 150		SK 2104-02	2
16	Bolt		SK 2106-67	1		Pedestal H 170		SK 2104-21	2
17	Threaded stopper		000.010.021	4		Pedestal H 185		SK 2104-01	2
18	Hexagon bolt, compl.	from 0428xxxxx	SK 3521-03	1		Pedestal H 250		SK 2104-14	2
19	Double tension spring		SK 3105-20	1		Pedestal H 300		SK 2104-20	2

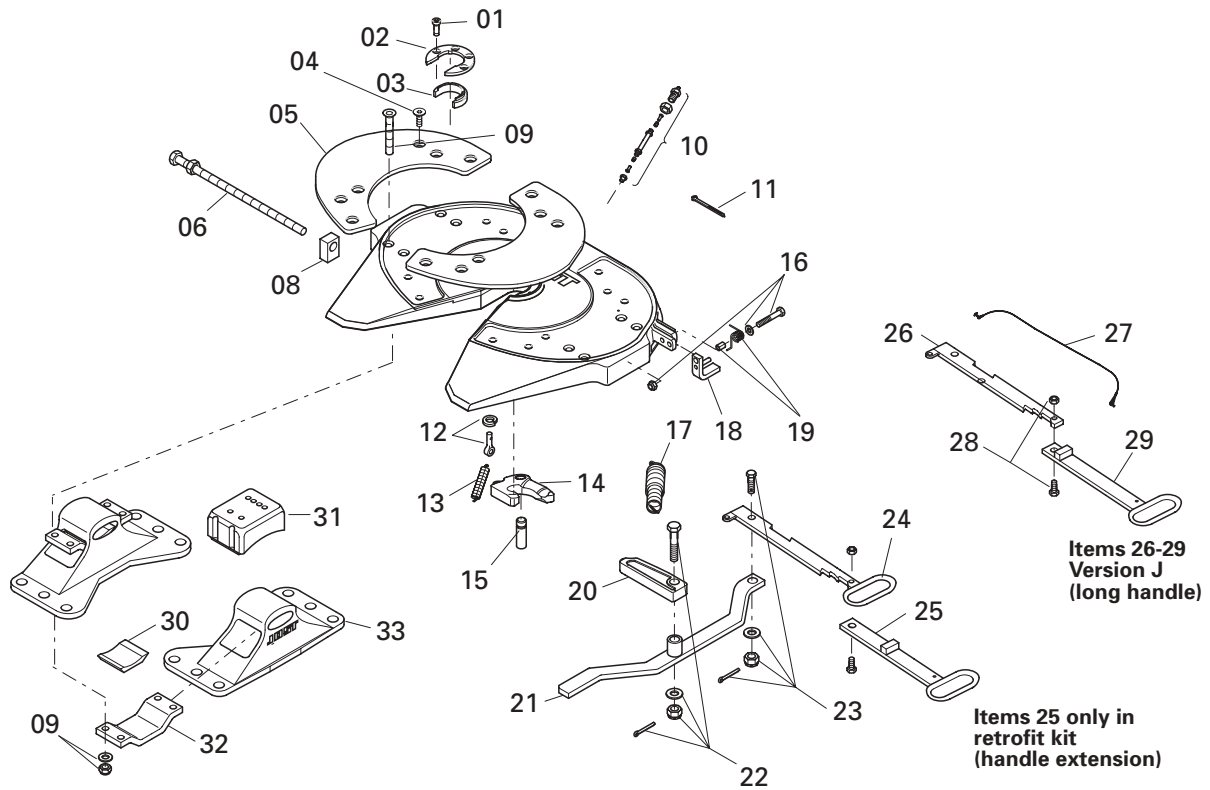
## Repair and retrofit kits



Item	Description	Order No.	Item	Description	Order No.
01, 02, 14, 15, 16	Repair kit for lock C	SK 3221-50	08, 32, 33	Repair kit for bearing	SK 2121-69
14, 15, 16	Repair kit for lock C	SK 3221-52	11, 15	Retrofit kit for type C on CZ	SK 3108-05
01, 02	Repair kit for lock C/CZ	SK 2121-51	27, 29, 30	Retrofit kit handle extension, compl.	SK 3121-063
01, 02, 11, 14, 15, 16	Repair kit for lock CZ	SK 3221-50Z			
11, 14, 15, 16	Repair kit for lock CZ	SK 3221-52Z			

# JSK 37 CW

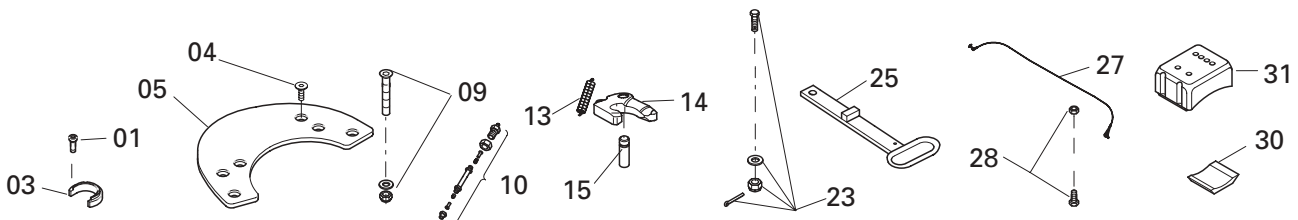
## Spare parts



Item	Description	Serial No./ Remark	Order No.	Quantity per JSK
01	Socket head bolt		SK 3121-55	4
02	Mounting ring		SK 3105-93	1
03	Wearing part		SK 3105-92	1
05	Slide washer, left	with 04	SK 3105-129L	1
	Slide washer, right	with 04	SK 3105-129R	1
06	Adjusting screw		SK 3105-151	1
08	Guide		SK 3205-07	1
09	Countersunk bolt, compl.		SK 2121-15	8
10	Lubrication tube, compl.	with 11	SK 3108-02	1
11	Cable tie		SK 3121-13	1
12	Eye bolt, compl.		SK 2122-04	1
13	Tension spring		SK 847	1
14	Lock jaw, compl.	with 11	SK 1489 Z	1
15	Bolt		SK 2106-67	1
16	Hexagon bolt, compl.		SK 3521-03	1
17	Double tension spring		SK 3105-20	1
18	Latch, compl.		SK 3121-52	1

Item	Description	Serial No./ Remark	Order No.	Quantity per JSK
19	Spring noose, compl.		SK 3121-59	1
20	Locking bar		SK 3205-06	1
21	Lever		SK 3105-18	1
22	Bar bolt, compl.		SK 3221-01	1
23	Hexagon bolt, compl.		SK 1513	1
24	Handle (standard version)		SK 3105-15	1
26	Locking bar	for type J	SK 3105-115	1
27	Latch cord, compl.	for type J	SK 3521-02	1
28	Hexagon bolt, compl.	for type J	SK 2421-50	1
29	Handle	for type J	SK 3105-113	1
30	Rubber cushion, lower		SK 2105-25	2
31	Rubber cushion, upper		SK 1259	2
32	Bridge		SK 1372	2
33	Pedestal H 150		SK 2104-02	2
	Pedestal H 170		SK 2104-21	2
	Pedestal H 185		SK 2104-01	2
	Pedestal H 250		SK 2104-14	2
	Pedestal H 300		SK 2104-20	2

## Repair and retrofit kits



Item	Description	Order No.
10, 13, 14, 15	Repair kit for lock	SK 3221-52 Z
01, 03, 10, 13, 14, 15, 23	Repair kit for lock	SK 3121-60 Z
09, 30, 31	Repair kit for bearing	SK 2121-69

Item	Description	Order No.
04, 05	Repair kit for top plate	SK 3106-003
25, 27, 28	Extension handle retrofit kit, compl.	SK 3121-063