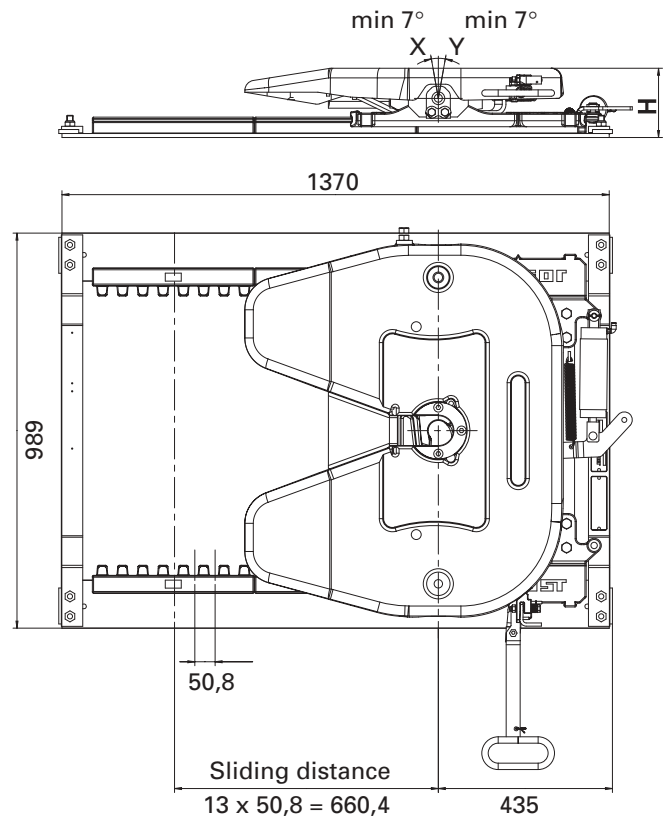
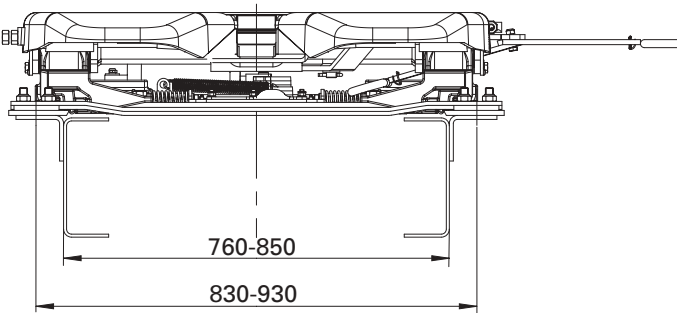


Sliders JSK SL

Technical Specification

The slider with integral JOST series JSK 37 E or 36 D fifth wheel coupling is designed for 2" king pins (50) as per EG 94/20, DIN 74080, ISO 337 and steering wedges as per EG 94/20, DIN 74085.

- optimum protection against corrosion thanks to cathodic immersion coating
- lightweight
- suitable for all standard frame hole patterns



Technical Data

D value (kN)	Imposed load U (t)	Approval EC SL
152	20	e1 00-1151

Customer hole patterns:

For more information, see www.jost-world.com

JOST product section

Order key for JSK SL

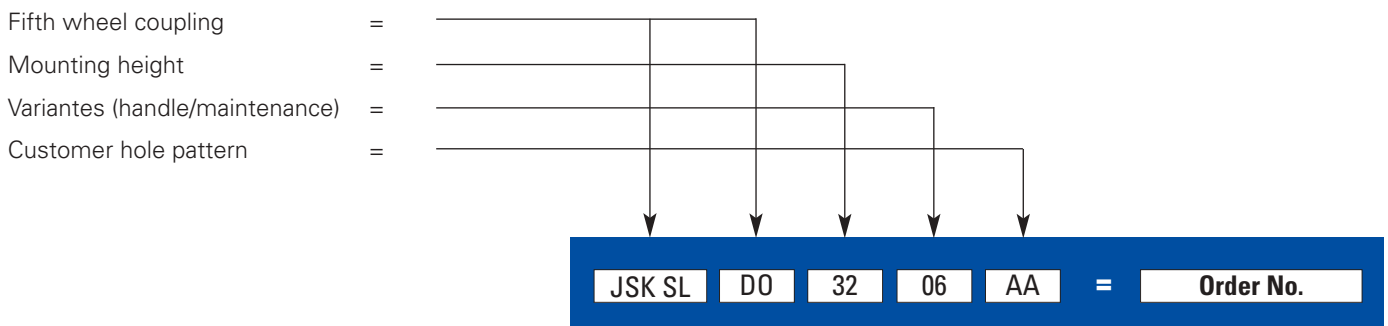
Components and variantes

Fifth wheel coupling JSK SL	Mounting height	Variantes Handle/Maintenance	Customer hole pattern (all KTL)
DO = 36 D	32 = 173 mm	06 = Slider manual / SK	AA = Standard (without oval hole, no customer-specific pattern)
EO = 37 E	45 = 203 mm	X6 = XXL Slider manual / SK	BC = Slider / SCANIA oval hole
	54 = 220 mm	07 = Slider manual / 37 E W	BD = Slider / VOLVO oval hole
	73 = 263 mm	X7 = XXL Slider manual / 37 E W	BP = Slider / DC oval hole
		X8 = XXL Slider pneumatic / SK	CK = Slider / MAN oval hole
		20 = Slider pneumatic / SK	CN = Slider / RVI oval hole
		21 = Slider pneumatic / 37 E W	CP = Slider / DAF oval hole
			CT = Slider / IVECO oval hole
			DF = XXL Slider / JOST oval hole

Explanations:

W = Low-maintenance version

Example of an order number - JSK SL DO 32 06 AA

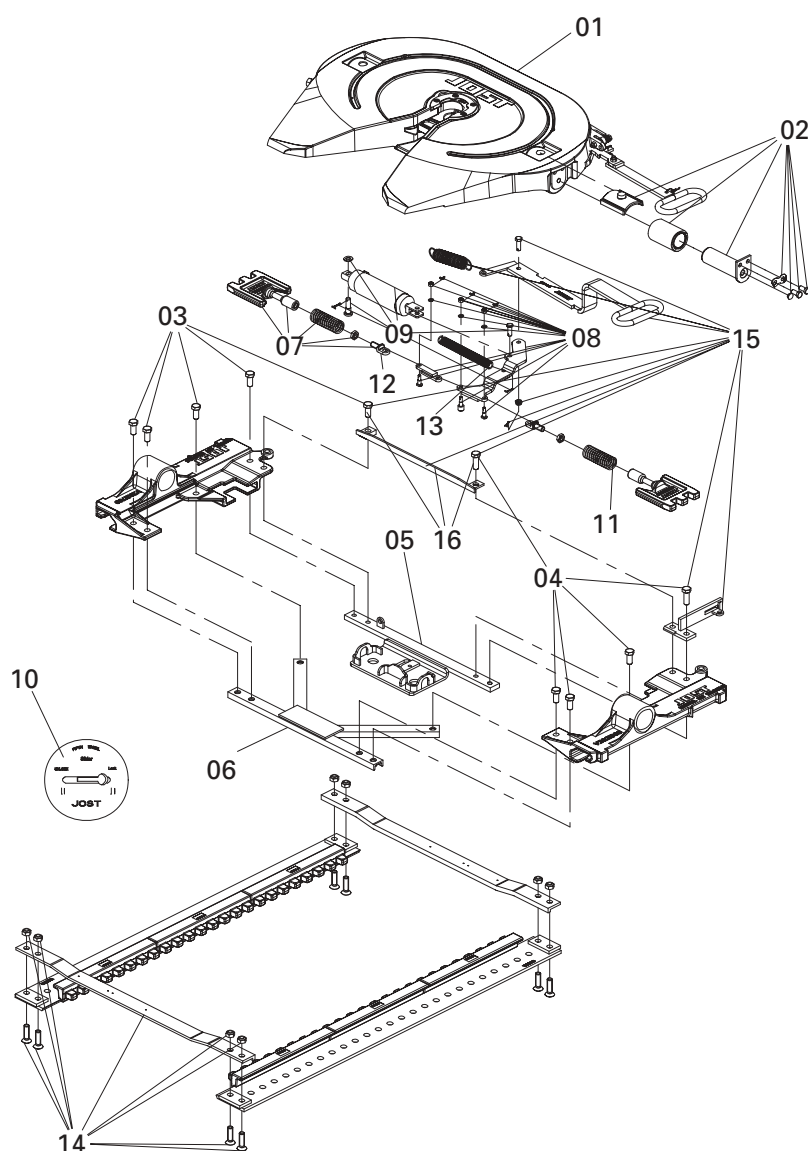


Mounting kits

Customer hole pattern	Order No.	Quantity per SL
CT	SLE 000000120	1
CK	SLE 000000120	1
CN	SLE 000000120	1
BP	SLE 000000120	1
CD	SLE 000000120	1
DF	SLE 000000120	2
BD	SLE 000000320	1
BP	SLE 000000220	1

JSK SL

Spare parts



Item	Description	Serial No./ Remark	Order No.	Quantity per Slider
01	Fifth wheel coupling	Spare parts of fifth wheel coupling see JSK 37 E or JSK 36 D		1
02	Split pin	Spare parts of split pin see JSK 37 E or JSK 36 D		2
03	Pedestal kit BH 173		SLE202170020	1
	Pedestal kit BH 203		SLE202000020	1
	Pedestal kit BH 220		SLE202530020	1
	Pedestal kit BH 263		SLE202550020	1
04	Pedestal kit BH 173		SLE202180020	1
	Pedestal kit BH 203		SLE202010020	1
	Pedestal kit BH 220		SLE202540020	1
	Pedestal kit BH 263		SLE202560020	1
05	Split pin, kit		SLE202210020	1
06	Bracing		SLE202120020	1
07	Stopper, kit		SLE202520020	2
08	Lever, kit		SLE202300020	1
09	Cylinder, kit	for pneumatic version	SLE202410020	1
10	Pneumatics kit	for pneumatic version	V 1021-54	1
11	Pressure spring		SLE201330020	2
12	Adjusting piece		SLE202330020	2
13	Double tension spring		SLE202610000	1
14	Traverse, kit		SLE201380020	2
15	Handle, kit BH 173	for manual version	SLE202420020	1
	Handle, kit BH 203	for manual version	SLE202850020	1
	Handle, kit BH 263	for manual version	SLE202720020	1
16	Bridge, kit	for manual version BH 203 and BH 263	SLE202770020	1