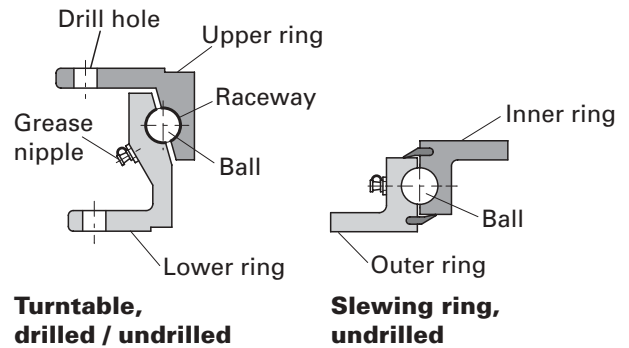




Design/features



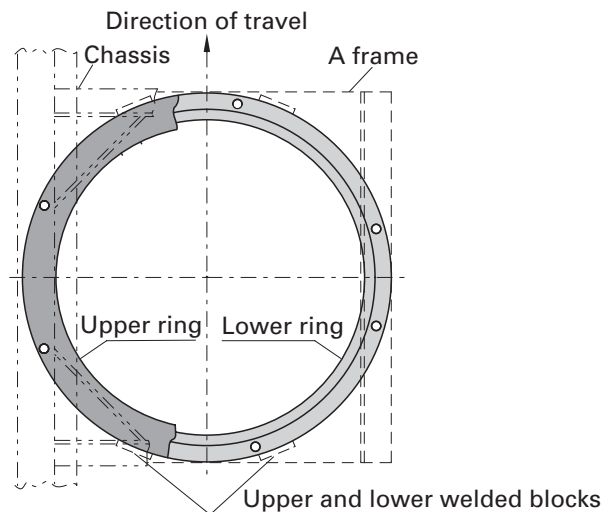
The ball bearing turntables and slewing rings allow the bogie to turn relative to the trailer frame. They transfer both the axial force and the thrust and tensile forces that occur during a journey.

1 Ball bearing turntables and slewing rings

Ball bearing turntables and slewing rings are parts for fitting onto trailers and agricultural vehicles to connect the A-frame to the trailer chassis so it can swivel.

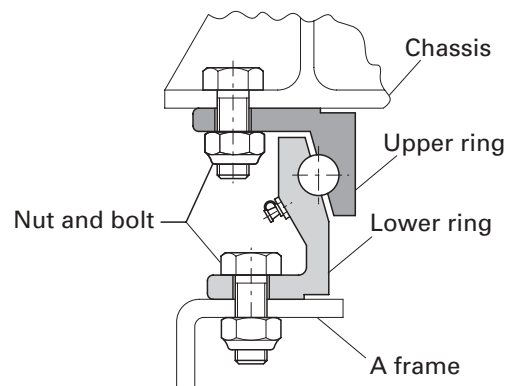
Ball bearing turntables and slewing rings must always be operated as set out in the relevant operating instructions for the particular vehicle. Compliance with "TÜV" Safety Regulations and Motor Vehicle Safety Standards (StVZO) is required in Germany.

JOST ball bearing turntables and slewing rings cover the complete spectrum of trailer technology and have a solution to suit all applications.



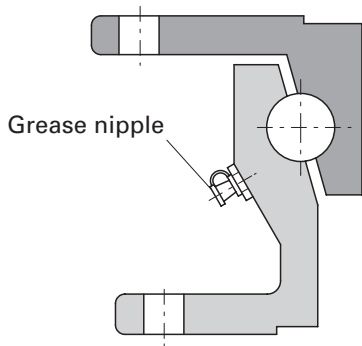
The lower ring/outer ring is bolted on to the A-frame and the upper ring/inner ring is bolted to the chassis. The A-frame, ball bearing turntable or slewing ring and chassis must never be welded together. Pre-welded stop blocks relieve the shear load on the bolts resulting from horizontal forces.

The ring must be mounted on a completely flat and rigid base with at least 50 % of the circumference adequately supported.

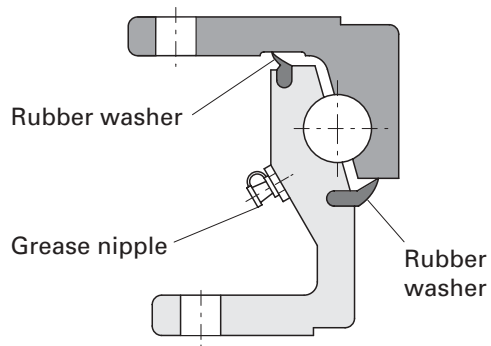


Ball bearing turntables are available in drilled and undrilled versions. Slewing rings are available in undrilled versions only.

Maintenance



Standard



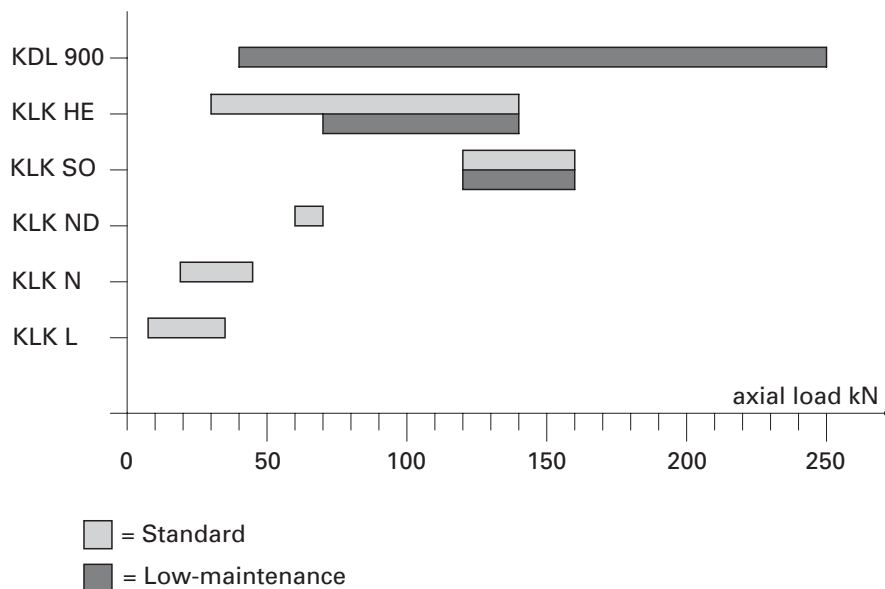
Low-maintenance

JOST standard ball bearing turntables are supplied with a thin base coating of lubricant. Before it is used for the first time the ball bearing turntable must be lubricated thoroughly. See JOST installation and operating instructions.

Connection to the central vehicle lubrication system is possible (grease is essential, rather than oil).

The low-maintenance versions of ball bearing turntables and slewing rings mean they do not have to be maintained for up to three years or 300,000 km. After this period they must be serviced in the same way as standard turntables. The low-maintenance models are distinguished by a green type plate and by the letter "W" at the end of the item number. Maintenance conditions differ when fitted to steered semi-trailers or in the case of heavy conditions of use.

Axial load



The range of applications for ball bearing turntables and slewing rings depends on the maximum axle load. JOST ball bearing turntables and slewing rings cover an axle load range from 7.5 to 250 kN.

The specified axle loads for series KDL, HE, SO and ND relate to use where the slewing ring is mounted on the front axle of a trailer with three axles and fifth wheel steering, travelling at speeds of up to 100 kph (65 mph). On dual-axle trailers, the specified axle loads can be exceeded by 10% or 20% at speeds below 30 kph (18 mph).

All load data for series KDL, HE, SO, ND, L and N apply to use on roads in fifth wheel steering systems and for paved standard road conditions in Central Europe.

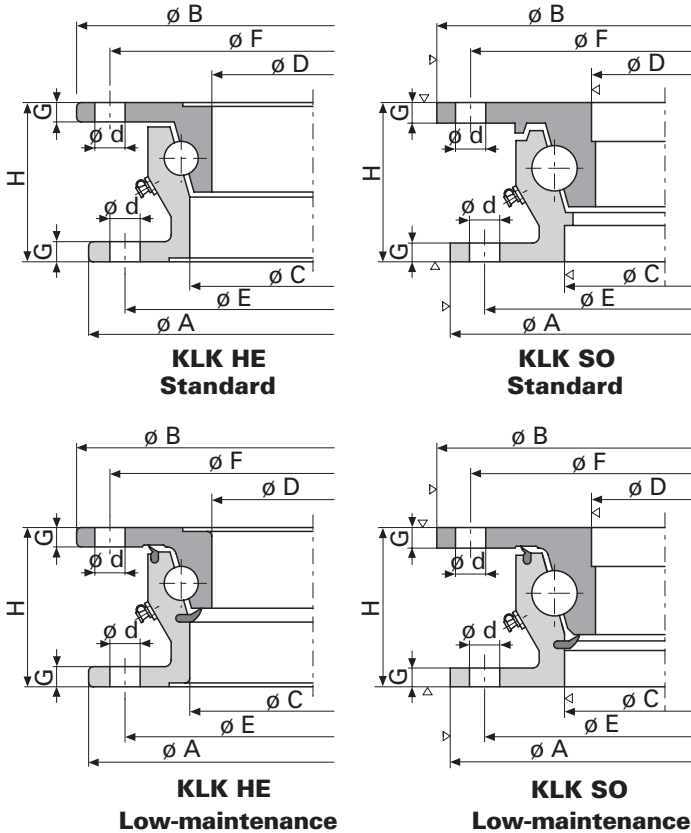
If the ball bearing turntable and slewing ring are to be mounted above the steered axle and above the king pin on semi-trailers, please ask JOST for the load data, giving details of the vehicle. Any deviations are given on the specification sheet.

Ball bearing turntables KLK HE and SO

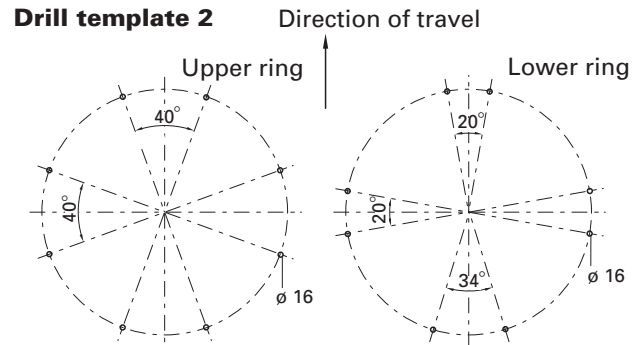
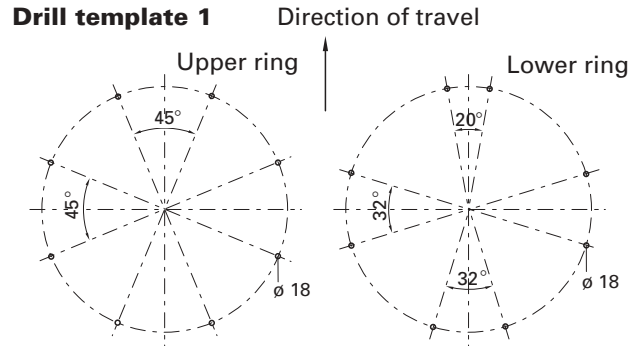
Technical Specification

Included in supply

- standard / low-maintenance
- drilled / undrilled
- primed



▽ = Shaped profile

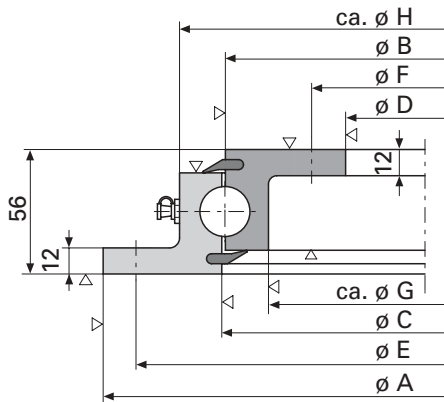


Selection table / Versions available

Order No.	Permitted axial load (kN)	Dimensions (mm)									Weight (approx. kg)	Maintenance	Drill template No.
		A	B	C	D	E	F	d	G	H			
KLK HE 4	30	685	700	588	567	657	671	-	9	80	32	Standard	Undrilled
KLK HE 5	50	880	895	783	762	852	866	16	9	80	43	Standard	2
KLK HE 6-1000	60	1000	1015	903	882	972	986	-	9	80	48	Standard	Undrilled
KLK HE 6	65	1090	1105	993	972	1060	1074	18	9	80	52	Standard	1
KLK HE 12-1000	70	1000	1011	886	859	960	974	-	10	90	63	Standard	Undrilled
KLK HE 12-1000 W	70	1000	1008	877	846	960	974	-	10	90	65	Low-mainte.	Undrilled
KLK HE 12	80	1100	1111	986	959	1060	1074	18	10	90	69	Standard	1
KLK HE 12 W	80	1100	1108	977	946	1060	1074	18	10	90	72	Low-mainte.	1
KLK HE 18-1000	80	1000	1011	886	859	960	974	-	10	90	63	Standard	Undrilled
KLK HE 18-1000 W	80	1000	1008	877	846	960	974	-	10	90	65	Low-mainte.	Undrilled
KLK HE 18	100	1100	1111	986	959	1060	1074	18	10	90	69	Standard	1
KLK HE 18 W	100	1100	1108	977	946	1060	1074	18	10	90	72	Low-mainte.	1
KLK HE 1000-22	100	1000	1011	886	859	960	974	-	10	90	63	Standard	Undrilled
KLK HE 1000-22 W	100	1000	1008	877	846	960	974	-	10	90	65	Low-mainte.	Undrilled
KLK HE 1100-22	120	1100	1111	986	959	1060	1074	18	10	90	69	Standard	1
KLK HE 1100-22 W	120	1100	1108	977	946	1060	1074	18	10	90	72	Low-mainte.	1
KLK SO 1000-24	120	987	1000	871	844	952	966	-	10	90	72	Standard	Undrilled
KLK SO 1000-24 W	120	987	1000	871	844	952	966	-	10	90	73	Low-mainte.	Undrilled
KLK HE 1200-22	130	1200	1211	1086	1059	1160	1174	18	10	90	76	Standard	1
KLK HE 1200-22 W	130	1200	1208	1077	1046	1160	1174	18	10	90	80	Low-mainte.	1
KLK HE 1300-22	140	1300	1311	1186	1159	1260	1274	-	10	90	84	Standard	Undrilled
KLK HE 1300-22 W	140	1300	1308	1177	1146	1260	1274	-	10	90	89	Low-mainte.	Undrilled
KLK SO 1100-24	160	1095	1108	979	952	1060	1074	18	10	90	82	Standard	1
KLK SO 1100-24 W	160	1095	1108	979	952	1060	1074	18	10	90	83	Low-mainte.	1

Slewing ring KDL 900

Technical Specification



▽ = Shaped profile

Included in supply

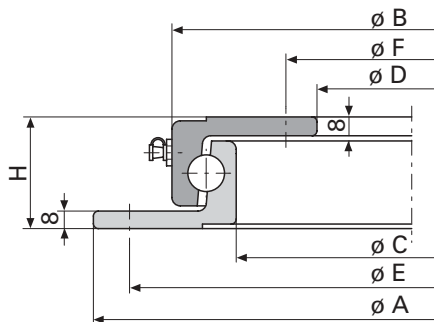
- low-maintenance
- undrilled
- hardened bearings
- primed

Selection table / Versions available

Order No.	Permitted axial load (kN)	Dimensions (mm)								Weight (approx. kg)
		A	B	C	D	E	F	G	H	
KDL 900-1 W	40	520	409	412	302	490	332	371	451	25
KDL 900-2 W	80	650	539	542	432	620	462	501	581	32
KDL 900-3 W	120	750	639	642	532	720	562	601	681	39
KDL 900-4 W	150	850	739	742	632	820	662	701	781	45
KDL 900-5 W	180	950	839	842	732	920	762	801	881	51
KDL 900-6 W	210	1050	939	942	832	1020	862	901	981	57
KDL 900-7 W	250	1200	1089	1092	982	1170	1012	1051	1131	67

Ball bearing turntables KLK L and N

Technical Specification



Included in supply

- standard
- undrilled
- primed

Scope

Application	Speed	Farm vehicle
Farm vehicle Transport equipment	up to 30 km / h	L
Farm vehicle, heavy Truck trailer, light	over 30 km / h	N

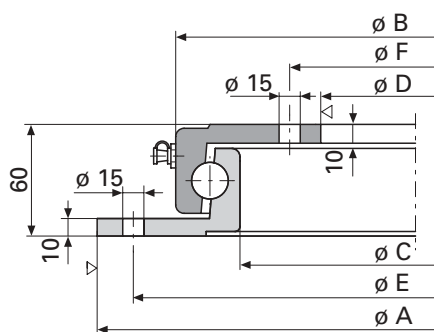
At a speed of less than 30 kph the maximum axial load for the N series can be increased by 30 to 50%.

Selection table / Versions available

Order No.	Permitted axial load (kN)	Dimensions (mm)							Weight (approx. kg)
		A	B	C	D	E	F	H	
KLK 400L	7,5	400	342	292	230	375	260	45	11
KLK 500L	9	500	442	392	330	475	360	45	15
KLK 650L	15	650	592	542	480	625	510	45	20
KLK 750L	18	750	692	642	580	725	610	45	23
KLK 850L	25	850	792	742	680	825	710	45	27
KLK 950L	30	950	892	842	780	925	810	45	30
KLK 1050L	35	1050	992	942	880	1025	910	45	34
KLK 500N	18	500	437	384	315	475	340	52	17
KLK 650N	25	650	587	534	465	625	490	52	23
KLK 750N	30	750	687	634	565	725	590	52	28
KLK 850N	35	850	787	734	665	825	690	52	32
KLK 950N	40	950	887	834	765	925	790	52	36
KLK 1050N	45	1050	987	934	865	1025	890	52	40

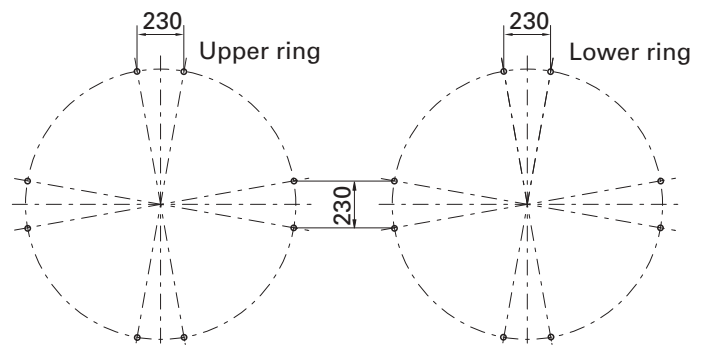
Ball bearing turntables KLK ND

Technical Specification



Included in supply

- standard
- drilled
- primed



Selection table / Versions available

Order No.	Permitted axial load (kN)	Dimensions (mm)						Weight (approx. kg)
		A	B	C	D	E	F	
KLK 950 ND	60	952	885	821	750	920	780	52
KLK 1100 ND	70	1102	1027	963	890	1070	920	61



General information

Order information

Available ball bearing turntables and slewing ring series are specified in the respective selection tables by means of an order reference number.

Scope of supply, storage, transport and handling

Included in the supply are the ball bearing turntable or slewing ring according to the order reference number and the technical documentation requested according to the order form. If you do not intend to unpack and fit the ball bearing turntables and/or slewing rings immediately on delivery, please store them in a dry place.

The maximum storage period for maintenance-free ball bearing turntables and slewing rings is three years.

Ball bearing turntables and slewing rings are transported on Euro pallets.

Further documentation

You can find further technical details and information (e.g. mounting and operating instructions) at www.jost-world.com.

Terms of guarantee

Guarantee

JOST guarantees perfect dimensional and material condition, as well as the correct functioning of the ball bearing turntables and slewing rings for a period of three years or 300,000 km, whichever arises first.

Different guarantee terms apply if they are installed in forced steering semi-trailers.

Claims under guarantee

Requirements for claims under guarantee are:

- Observance of the specifications in the technical data sheet issued by JOST, proof of correct storage and compliance with our fitting and servicing instructions.
- Immediate communication of your claim and, where necessary, the return of the faulty products to JOST.
- The immediate and full completion of the technical questionnaire supplied by JOST.
- Providing an opportunity to investigate the problem and/or carry our tests on site, as well as measures to reduce damage at the discretion of JOST.

Exceptions to the guarantee

- The company ordering products from JOST is to decide on their suitability for the intended application.
- Damage caused, for example, by excessive or incorrect cleaning procedures, damage caused by prohibited operating conditions, as well as ball bearing turntables or slewing rings that have been subject to modification.
- Claims under the guarantee are restricted to repair or replacement. Claims for consequential damage are excluded.
- The period of guarantee commences with the transfer of risk.
- Our General Commercial Terms apply.