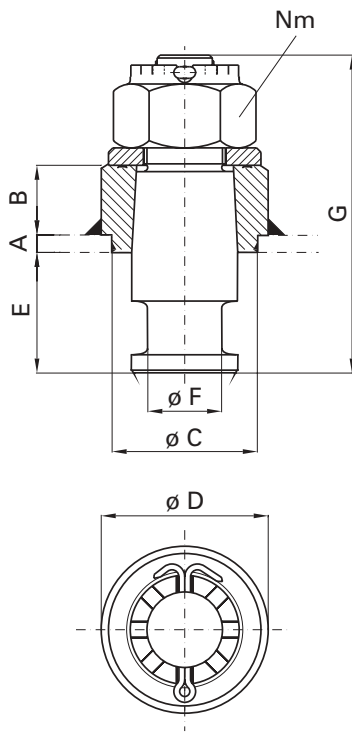


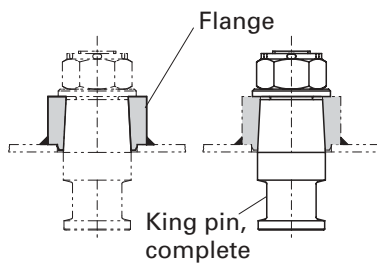
KZ 1108 - 1120



KZ 1108-1112
KZ 1116, KZ 1120

Selection table / Versions available

| Order No. King pin, complete | D value (kN) | Dimensions (mm) | | | | | | | Approval EC | Starting torque Nm |
|---------------------------------|-----------------|-----------------|----|-------|-------|----|--------|-----|----------------|-----------------------|
| | | A | B | C | D | E | F | G | | |
| KZ 1108 | | 8 | 52 | | | | | | | |
| KZ 1110 | 152 | 10 | 50 | ∅ 100 | ∅ 115 | 84 | 2" | 219 | e1 00-0146 | 1200 |
| KZ 1112 | | 12 | 48 | | | | | | | |
| KZ 1116 | 260 | 16 | 80 | ∅ 140 | ∅ 160 | 74 | 3 1/2" | 228 | e1 00-0151 | 1500 |
| KZ 1120 | 300 | 20 | 76 | ∅ 160 | ∅ 180 | 74 | 3 1/2" | 228 | - | 1500 |

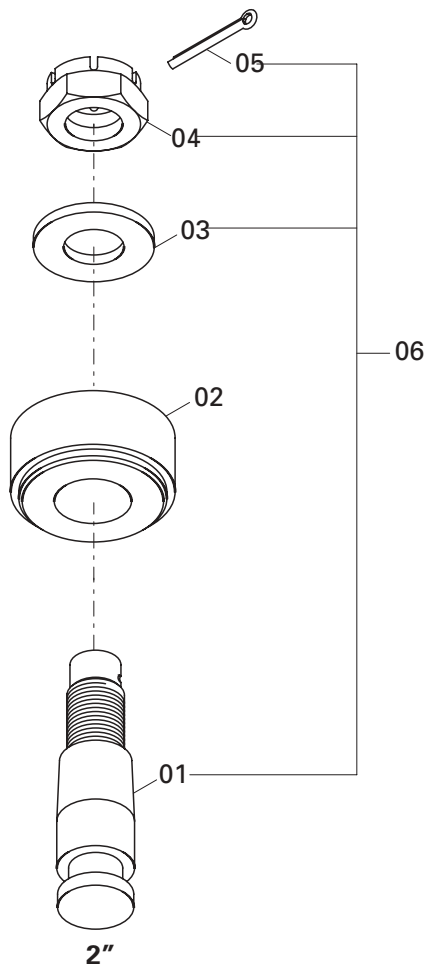


Delivery includes

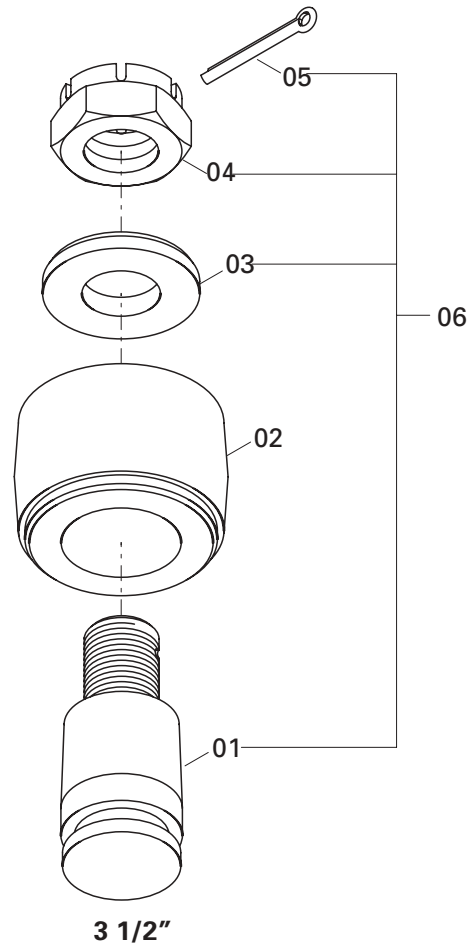
- Pin complete, flange

KZ 1108 - 1120

Spare parts



KZ 1108-1112



KZ 1116-1120

| King pin | | | 2" | | | 3 1/2" | |
|----------|--|-------------|-----------------------|---------|---------|---------|---------|
| Item | Description | Order No. | KZ 1108 | KZ 1110 | KZ 1112 | KZ 1116 | KZ 1120 |
| | | | Quantity per king pin | | | | |
| 01 | Pin | KZ 1112-01 | 1 | 1 | 1 | | |
| | | KZ 1116-01 | | | | 1 | |
| | | KZ 1120-01 | | | | | 1 |
| 02 | Mounting flange | KZ 1112-02 | | | 1 | | |
| | | KZ 1110-02 | | 1 | | | |
| | | KZ 1108-02 | 1 | | | | |
| | | KZ 1116-02 | | | | 1 | |
| | | KZ 1120-02 | | | | | 1 |
| 03 | Bolt | KZE 1112-03 | 1 | 1 | 1 | | |
| | | KZE 1116-03 | | | | 1 | 1 |
| 04 | Castle nut | KZE 1112-04 | 1 | 1 | 1 | | |
| | | KZE 1116-04 | | | | 1 | 1 |
| 05 | Splint | KZE 1112-05 | 1 | 1 | 1 | | |
| | | KZE 1116-05 | | | | 1 | 1 |
| 06 | King pin with mounting parts items 03, 04 + 05 | KZ 1112-06 | 1 | 1 | 1 | | |
| | | KZ 1116-06 | | | | 1 | |
| | | KZ 1120-06 | | | | | 1 |

