

D 200 T

The new universal landing gear from the world market leader

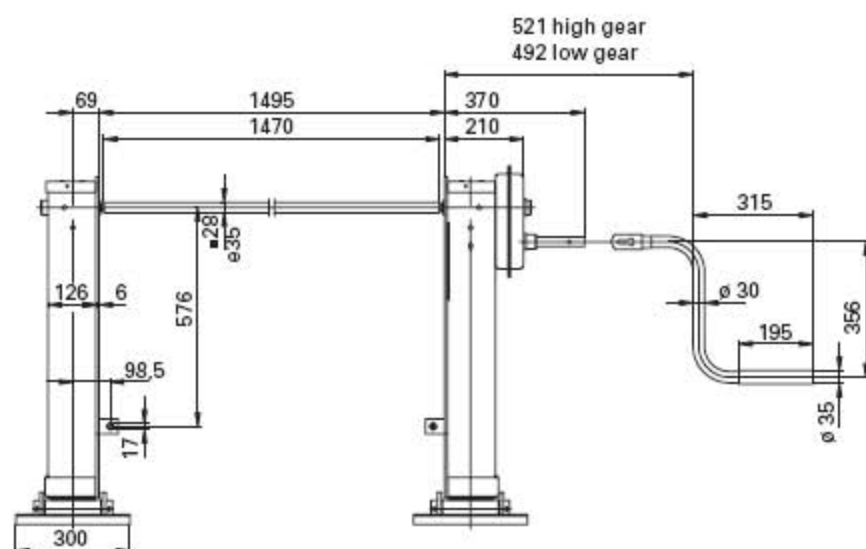
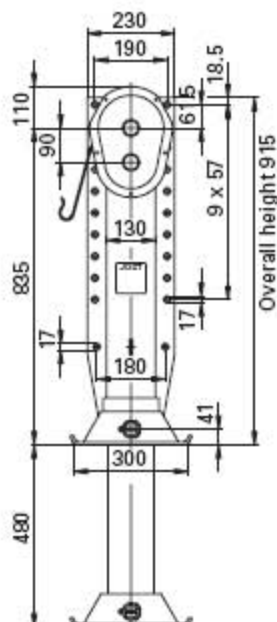
Features

- compact design
- long life high precision power train
- 480 mm lift
- full length back plate
- shock resistant
- maximum resistance to bending
- vertical gear box

Technical Data (per set)

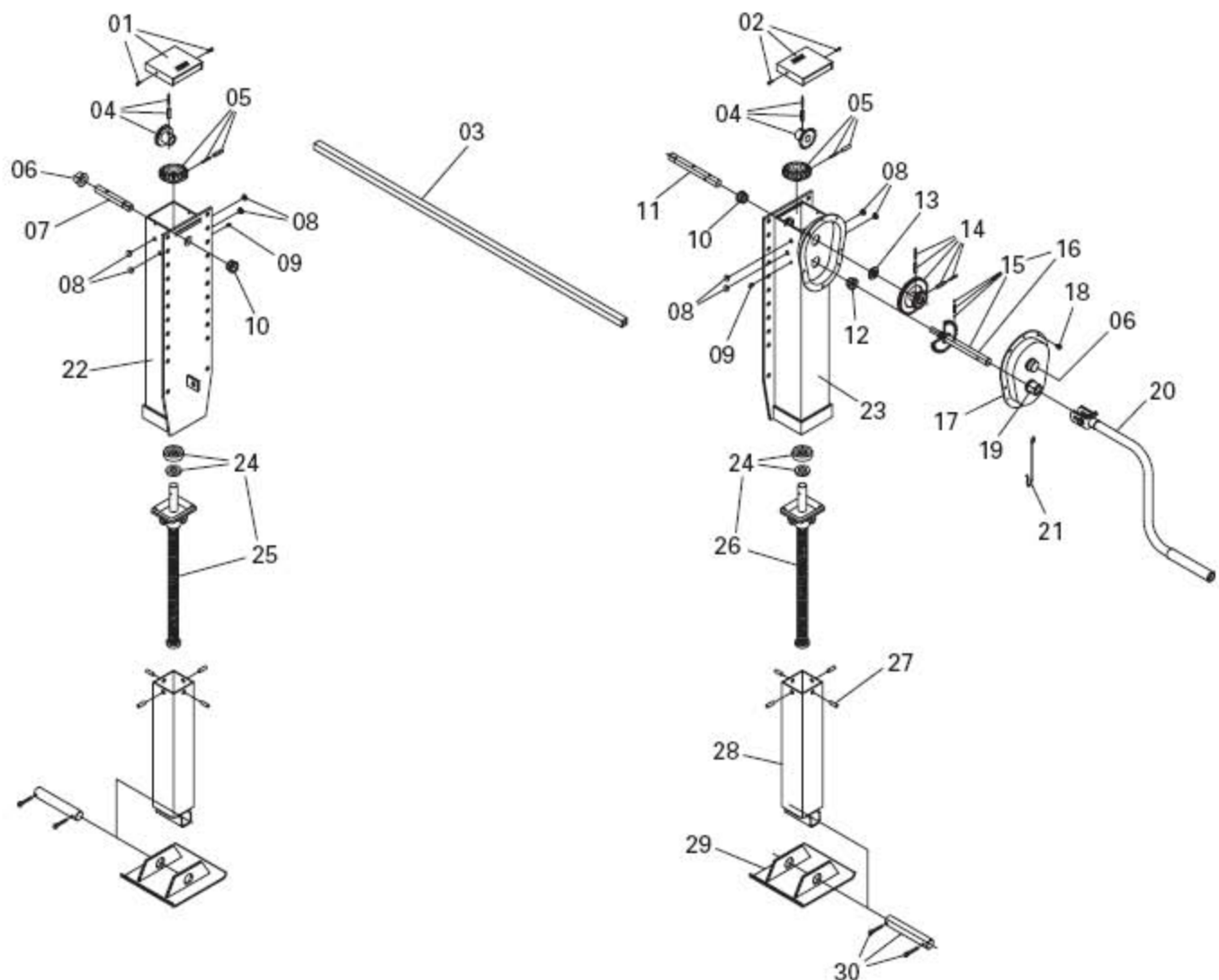
D 200 T

mounting height (MH)	835 mm
lift	480 mm
lifting capacity	24 t
static load	50 t
lift per turn of the crank	
- low gear	1,0 mm
- high gear	10,6 mm
crank force at 16 t load	230 N



JOST

D 200 T



Selection table / Versions available

Item	Description	Remark
01	Cover, left with screws	
02	Cover, right with screws	
03	Connection shaft	
04	Small bevel gear with clamping sleeves	
05	Large bevel gear with clamping sleeves	
06	Bearing	
07	Drive shaft	
08	Plug	
09	Grease nipple	
10	Collar	
11	Drive shaft	
12	Bearing	
13	Bearing	
14	Large gear set with clamping sleeves	
15	Pressure spring with balls	
16	Crank drive pinion with pressure spring and balls	
17	Gearbox cover	
18	Self tapping screw	
19	Bush	
20	Crank handle with crank handle grip	

Item	Description	Remark
21	Crank parking hook	
22	Shaft left	
23	Shaft right	
24	Thrust bearing	
25	Spindle left, compl.	with 26
26	Spindle right, compl.	with 25
27	Pin	
28	Supporting tube	
29	Sand shoe	
30	Axle for sand shoe compl.	

Repair Kits

Description	Remark
Leg complete R.H. with drive	for type D200T00000
Leg complete L.H. without drive	for type D200T00000