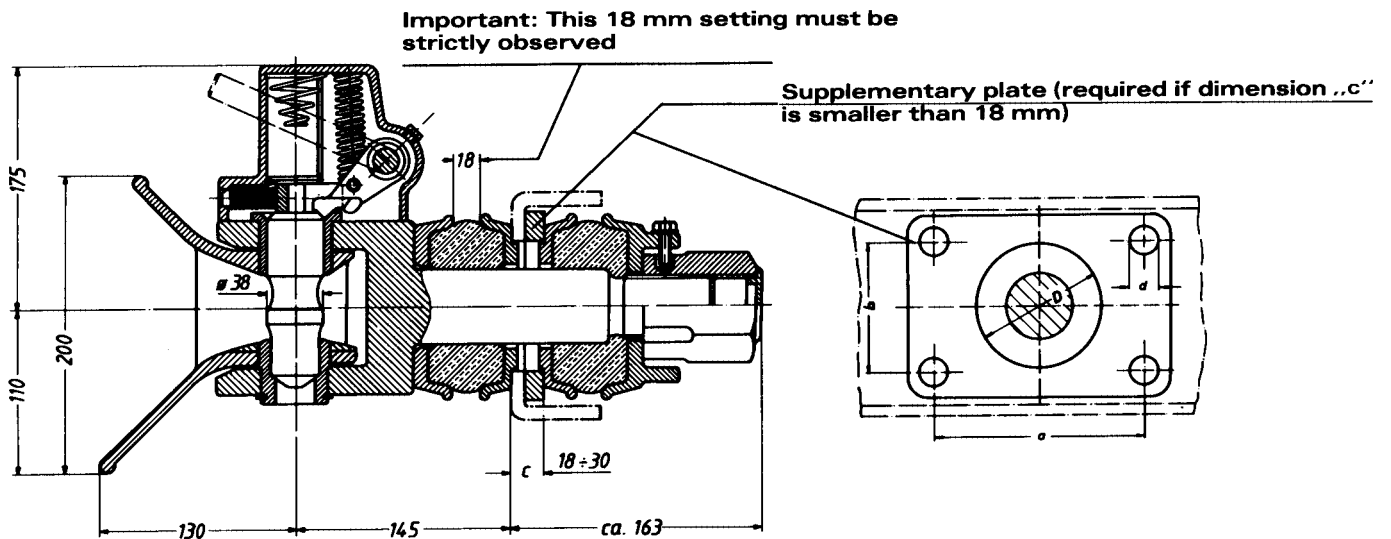


## JAK 22



| Type   | D-value | Weight approx. kg | Hole pattern a x b mm | ∅ d mm | ∅ D |
|--------|---------|-------------------|-----------------------|--------|-----|
| JAK 22 | 130 kN  | 28                | 160 x 100             | 21     | 95  |

D-value formula according to DIN 74051:

$$D = g \frac{m_K \cdot m_A}{m_K + m_A} \text{ in kN} \quad \text{factor } g = 9,81 \text{ m/s}^2$$

$m_K$  = maximum total weight of truck in tons

$m_A$  = maximum total weight of trailer in tons

Example how to calculate the D-value:  
The D-value of an automatic towing hitch for the following weights shall be stipulated:

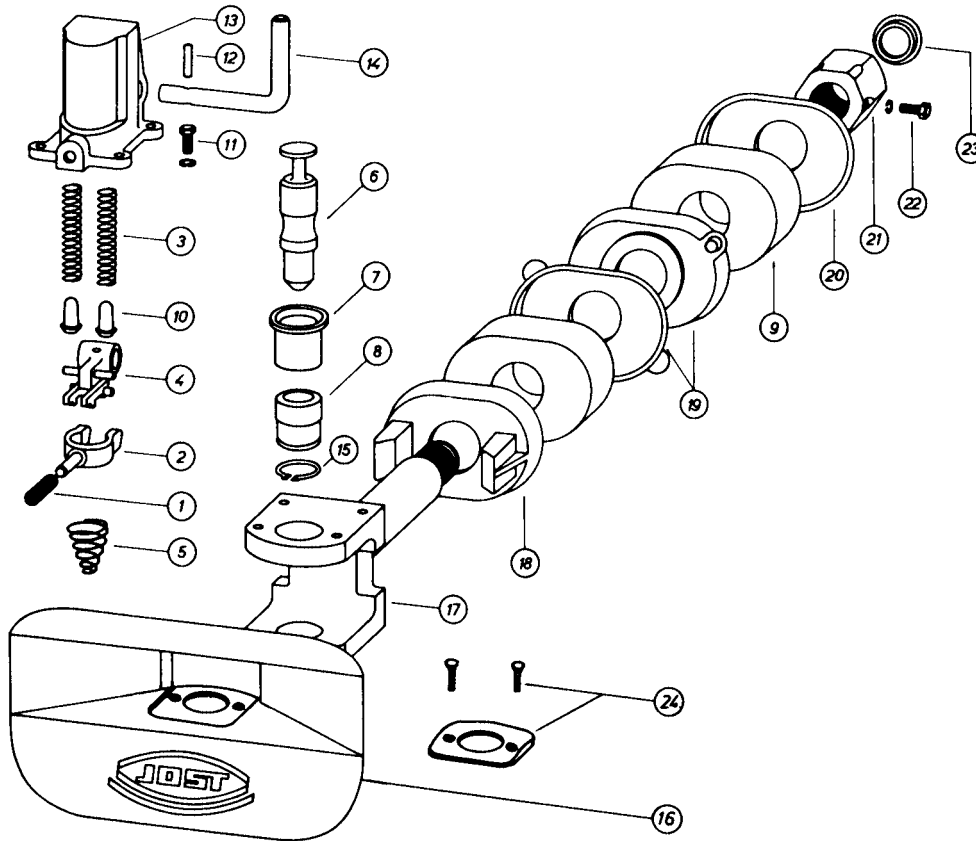
$$m_K = 25 \text{ t}$$

$$m_A = 18 \text{ t}$$

$$D = g \frac{m_K \cdot m_A}{m_K + m_A} = 9,81 \frac{25 \cdot 18}{25 + 18} = \underline{\underline{102,7 \text{ kN}}}$$

The D-value of 102,7 kN requires a JAK 22

The right to alter specifications is reserved.



| Fig.             | Description                                | Type | Part No. | Quantity per hitch |
|------------------|--|------|----------|--------------------|
| 1                | Lock catch spring                          | 22   | AK 1232  | 1                  |
| 2                | Lock catch                                 | 22   | AK 1218  | 1                  |
| 3                | Spring for lifting tongue                  | 22   | AK 1225  | 2                  |
| 4                | Lifting tongue                             | 22   | AK 1220  | 1                  |
| 5                | Conical helical spring                     | 22   | AK 1231  | 1                  |
| 6                | Locking bolt                               | 22   | AK 1219  | 1                  |
| 7                | Upper bushing                              | 22   | AK 1221  | 1                  |
| 8                | Lower bushing                              | 22   | AK 1222  | 1                  |
| 9                | Rubber cushions                            | 22   | AK 1214  | 2                  |
| 10               | Prop                                       | 22   | AK 1224  | 2                  |
| 11               | Hex bolt M 8 x 22 mm with spring washer A8 | 22   | AK 1248  | 4                  |
| 12               | Clamping sleeve                            | 22   | AK 1249  | 1                  |
| 13               | Housing                                    | 22   | AK 1203  | 1                  |
| 14               | Lever                                      | 22   | AK 1226  | 1                  |
| 15               | Snap ring                                  | 22   | AK 1250  | 1                  |
| 16               | Housing with plastic pad complete (no.24)  | 22   | AK 1201  | 1                  |
| 17               | Fork and shaft                             | 22   | AK 1202  | 1                  |
| 18               | Front retainer cup                         | 22   | AK 1211  | 1                  |
| 19               | Intermediate retainer cup                  | 22   | AK 1210  | 2                  |
| 20               | Rear retainer cup                          | 22   | AK 1205  | 1                  |
| 21               | Nut  | 22   | AK 1217  | 1                  |
| 22               | Hex bolt M 8 x 20 with spring washer A 8   | 22   | AK 1251  | 1                  |
| 23               | Protective stopper                         | 22   | AK 1235  | 1                  |
| 24               | Plastic pad complete                       | 22   | AK 1262  | 1                  |
| 1 to 6, 10 to 14 | Locking device compl.                      | 22   | AK 1252  | 1                  |

The right to alter specifications is reserved